

User Guide

EZ-Fit™ Manifold



The life science business of
Merck KGaA, Darmstadt, Germany
operates as MilliporeSigma in
the US and Canada.

NOTICE

The information in this document is subject to change without notice and should not be construed as a commitment by Millipore SAS, Molsheim, France. Millipore SAS assumes no responsibility for any errors that may appear in this document. This manual is believed to be complete and accurate at the time of publication. In no event shall Millipore SAS be liable for incidental or consequential damages in connection with or arising from the use of this manual.

NOTE: This user guide is also available in the following languages: French, Italian, German, Spanish, and Japanese. Versions can be found on our website at www.millipore.com/techlibrary.

REMARQUE : Ce guide de l'utilisateur est également disponible dans les langues suivantes : français, italien, allemand, espagnol et japonais.
Les versions peuvent être téléchargées depuis notre site Internet : www.millipore.com/techlibrary.

NOTA: Il presente manuale è disponibile anche nelle seguenti lingue: francese, italiano, tedesco, spagnolo, giapponese. Tali versioni si trovano nel nostro sito web all'indirizzo www.millipore.com/techlibrary.

HINWEIS: Diese Bedienungsanleitung ist auch in den folgenden anderen Sprachen verfügbar: Französisch, Italienisch, Deutsch, Spanisch und Japanisch. Diese Versionen finden Sie auf unserer Website: www.millipore.com/techlibrary.

NOTA: Esta guía de usuario también está disponible en los siguientes idiomas: francés, italiano, alemán, español y japonés. Puede encontrar las versiones en nuestro sitio web www.millipore.com/techlibrary.

注記：このユーザーガイドは、フランス語、イタリア語、ドイツ語、スペイン語、および日本語の版があります。それぞれの版はWEBサイト (www.millipore.com/techlibrary) からご覧いただけます。

Contents

Introduction	5
Operator and Equipment Safety	6
Specifications and Operating Requirements	7
System Components	8
Available filtration heads (delivered in separate package)	9
Installing the EZ-Fit™ Manifold	10
Using the EZ-Fit™ Manifold	12
Maintenance	13
Rinsing the flow path and cleaning and decontaminating the filtration head(s)	14
Cleaning and decontaminating the filtration head support(s)	14
Cleaning and decontaminating the valve(s)	16
Cleaning and decontaminating the quick connections	20
Cleaning and decontaminating the pipe	21
Ordering information	22
Standard Product Warranty.....	24
Technical Assistance	24

Introduction

The EZ-Fit™ Manifold is a filtration manifold used for universal laboratory filtrations. The unique design optimizes workflow and maintenance, and reduces risk of contamination:

- Different filtration heads fit both reusable and disposable filtration devices.
- Each component can be removed quickly and easily without the use of tools.
- Vacuum tubing uses quick-fit connections.
- Easy access to all inner parts facilitates efficient cleaning, which prevents biofilm buildup.
- All manifold components can be autoclaved.
- Low height facilitates use in laminar flow hood.

The EZ-Fit™ Manifold is available in 1-place, 3-place, and 6-place models. Filtration heads for EZ-Fit™ filtration units, Microfil® filtration system, 55-Plus™ Monitor, or Microfil® V/S filtration devices, and standard glass or stainless-steel funnels are available

Operator and Equipment Safety

- Read and understand this user guide before using the EZ-Fit™ Manifold. Failure to follow operating instructions could result in user injury or damage to the equipment.
- Read and understand all maintenance instructions in this user guide before performing maintenance on the EZ-Fit™ Manifold. Failure to follow instructions could result in user injury or damage to the equipment.
- Any alteration of the EZ-Fit™ Manifold from factory specification may cause unsafe conditions, and will void the product warranty.
- Any attempt to use the EZ-Fit™ Manifold in a manner not specified in this user guide may result in damage to the equipment, voiding of product warranty, and possible operator injury.

Specifications and Operating Requirements

	Version	Length	Width	Height	Weight range*
Dimensions with quick connections (nominal)	EZ-Fit™ Manifold 1-place	204 mm / 8.0 in.	168 mm / 6.6 in.	119 to 168mm / 4.7 to 6.6 in.	1.3 to 1.4 kg / 2.9 to 3.1 lbs.
	EZ-Fit™ Manifold 3-place	433 mm / 17.0 in.	168 mm / 6.6 in.	119 to 168mm / 4.7 to 6.6 in.	2.4 to 2.7 kg / 5.2 to 6.0 lbs.
	EZ-Fit™ Manifold 6-place	823 mm / 32.4 in.	168 mm / 6.6 in.	119 to 168mm / 4.7 to 6.6 in.	4.1 to 4.8 kg / 9.0 to 10.5 lbs.
Tubing connection	Hose barb for 10 mm tubing (NPS 3/8 or DN10)				
Materials of construction	Handles	Anodized HE30 aluminium			
	Quick connector	316L Stainless steel			
	Quick plug	316L Stainless steel			
	Quick connections O-	Ethylene propylene diene monomer			
	Pipe	316L Stainless steel			
	Valve	316L Stainless steel			
	Valve O-rings	Ethylene propylene diene monomer			
	Valve button and Filtration head	Anodized AU4G aluminium Silicone			
Autoclave conditions	All components can be autoclaved at 121°C for 30 min.				

System Components

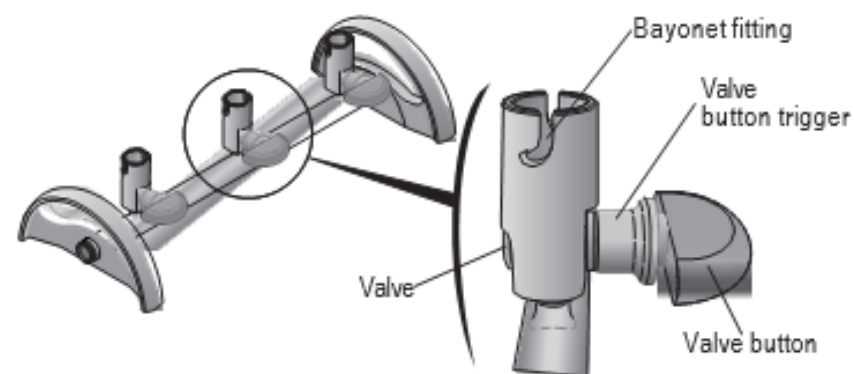
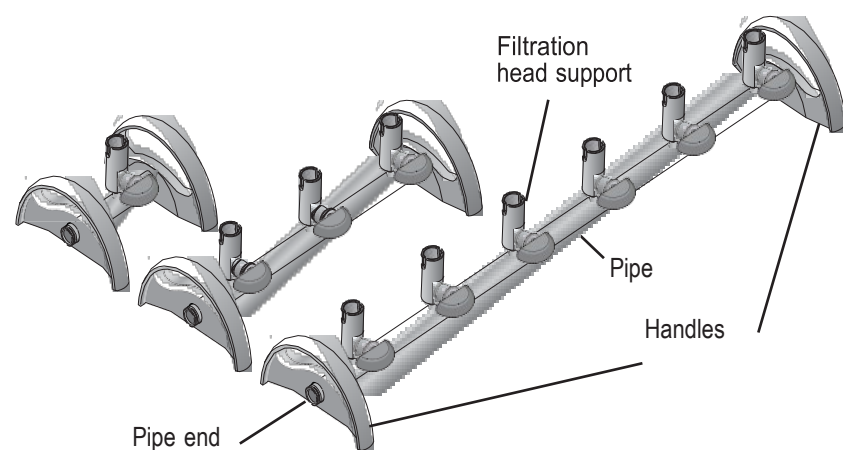
The package contains:

- EZ-Fit™ Manifold Base: 1-place, 3-place, or 6-place
- EZ-Fit™ Manifold quick connections (1 plug and 1 connector with hose barb)

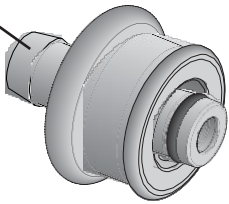
NOTE

Filtration heads are delivered in a separate package.

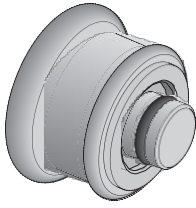
The following illustration shows three EZ-Fit™ Manifold bases: 1-place, 3-place, and 6-place.



Hose barb



Quick connector

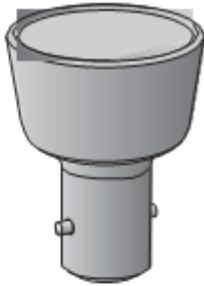


Quick Plug

Available filtration heads (delivered in separate package)



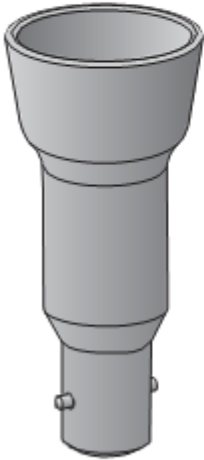
Microfil® filtration head



Microfil® V/S filtration head



EZ-Fit™ filtration head



Filtration head for rubber stopper tulip



Height extension

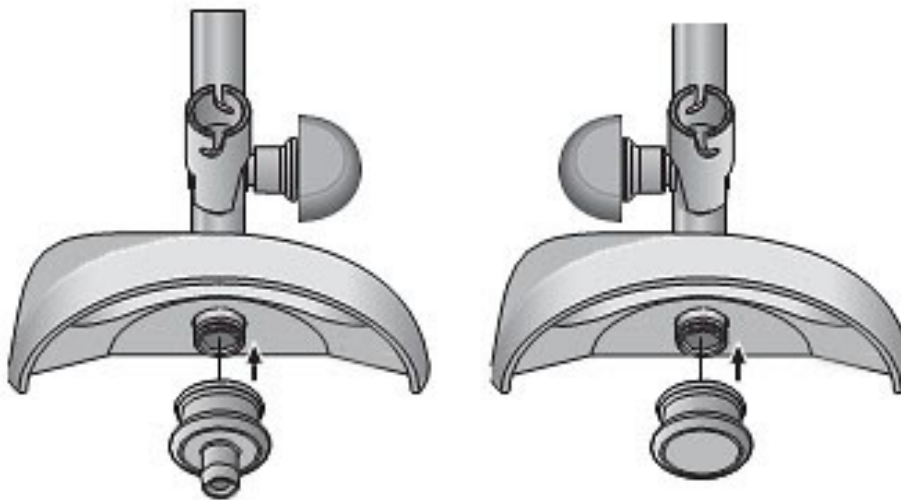
Installing the EZ-Fit™ Manifold

1. Remove all components from the box. Place the EZ-Fit™ Manifold on a flat, stable, horizontal surface.

NOTE

The right handle automatically adjusts to compensate for an uneven work surface.

2. Before first use, clean and decontaminate all the components of the EZ-Fit™ Manifold and the quick connections (see "Maintenance" in this user guide).
3. The quick connector and the quick plug fit either end of the manifold pipe. Choose the flow direction and connect the quick connections to each manifold pipe end by pushing them onto the manifold pipe end until they click.

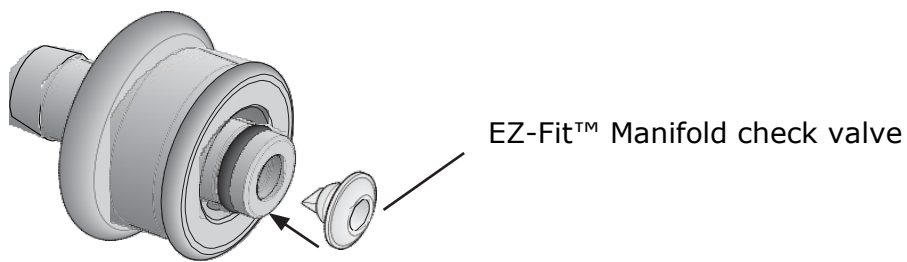


NOTE

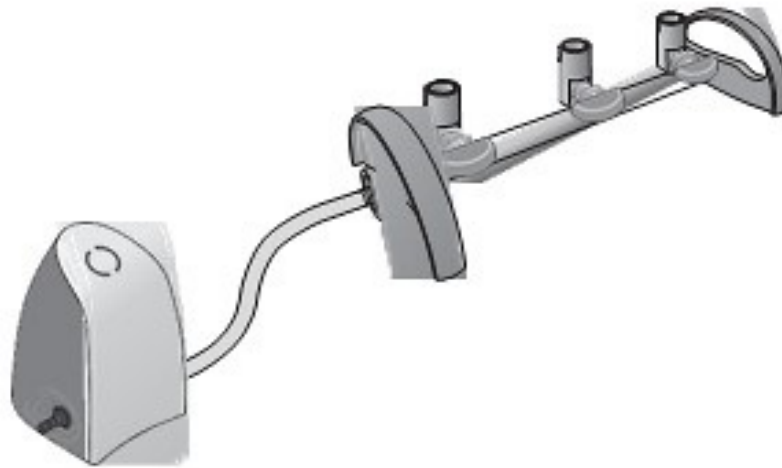
To remove a quick connection, simply pull it.

NOTE

Before connecting the quick connector to the EZ-Fit™ Manifold, a check valve (sold separately: Catalog number EZFITBACKF) can be added on.

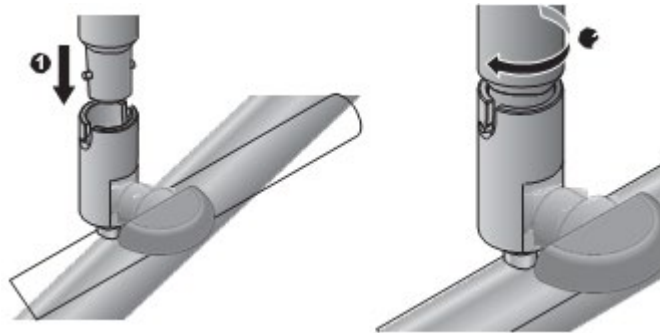


4. Using a hose (Catalog number STREAMTUB), connect the EZ-Fit™ Manifold quick connector to a vacuum system. The optimal vacuum is obtained using the EZ-Stream™ Pump.



Using the EZ-Fit™ Manifold

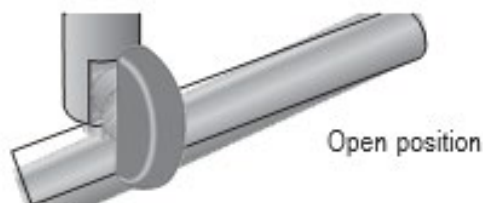
1. Clean and decontaminate the filtration head (see "Maintenance" in this user guide).
2. Install the filtration head on the filtration head support. Secure the bayonet fitting.



3. Place the filtration device on the filtration head.
4. Check that the valve button is in the closed position (horizontal).



5. Pour the sample into the device.
6. Start the vacuum system.
7. Start filtration of the sample by rotating the valve button counter clockwise to the end stop. This is the open position.



8. When the filtration is finished, rotate the valve button clockwise to the end stop.
9. Stop the vacuum system.

Maintenance

Clean and decontaminate the EZ-Fit™ Manifold on a regular basis, depending on the schedule of use and type of samples used.

If the equipment is not to be used for several days, decontaminate it and store it in a dry place.

Recommended cleaning agents list

Recommended agent	Cleaning Product Composition	Tested dilution
1	Ethanol (<30%) Didecyldimethylammonium chloride (<1%) Propanol (<1%) N-(3-aminopropyl)-N-dodecylpropane-1,3-diamine (<1.5%)	Ready to use
2	Isopropyl alcohol 70%	Ready to use
3	Ethanol 70%	Ready to use
4	Sodium Hypochlorite	250
5	Peracetic acid at (5 to 15%) Acetic acid at (5 to 15%) Hydrogen peroxide (15 to 30%)	2.5%
6	Ethanol (25 to 50%) Polyhexamethylene biguanide hydrochloride (<2.5%) N-(3-aminopropyl)-N-	Ready to use

Rinsing the flow path and cleaning and decontaminating the filtration head(s)

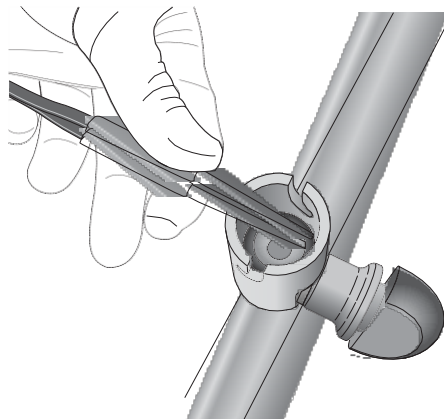
For each filtration head:

1. Rinse the EZ-Fit™ Manifold flow path with clean water or with one of the products listed in the recommended cleaning agents list in this section. If a cleaning agent is used, rinse the flow path once again with clean water.
2. Remove the filtration head from the EZ-Fit™ Manifold.
3. Clean the filtration head using a nonwoven wipe moistened with one of the products listed in the recommended cleaning agents list in this section.
4. Rinse the filtration head with clean water.
5. Optional: autoclave the filtration head at 121 °C for 30 minutes.

Cleaning and decontaminating the filtration head support(s)

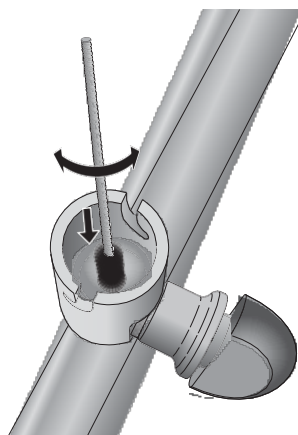
For each filtration head support:

1. Remove the filtration head from the filtration head support.
2. Make sure the valve button is in open position (vertical).
3. Using the filter forceps, grasp and remove the filtration head support O-ring.



4. Clean the O-ring and the filtration head support using a nonwoven wipe moistened with one of the products listed in the recommended cleaning agents list in this section.

5. Clean the small canal in the filtration head support using the dedicated small brush, which is part of the EZ-Fit™ Manifold Maintenance Kit (see "Ordering Information" in this user guide), moistened with one of the products listed in the recommended cleaning agents list in this section.



6. Rinse the O-ring, the filtration head support, and the small canal with clean water.
7. Optional: Autoclave this O-ring at 121 °C for 30 minutes. CAUTION
Do not lubricate the filtration head support O-ring.

NOTE

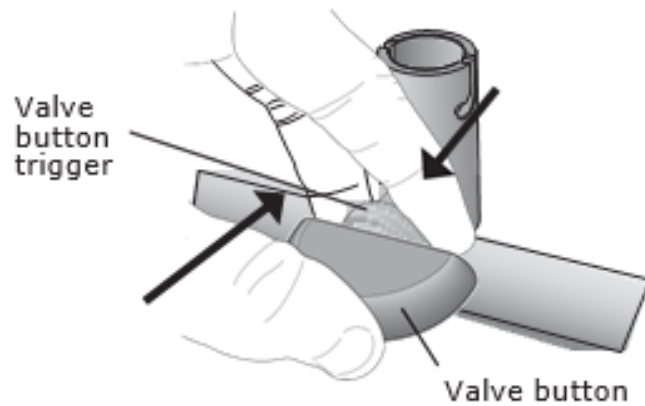
Replace the filtration head support O-ring on a yearly basis. Spare filtration head support O-rings are part of the EZ-Fit™ Manifold O-Rings Kit (see "Ordering Information" in this user guide).

8. Put the O-ring back into the bottom of the filtration head support.

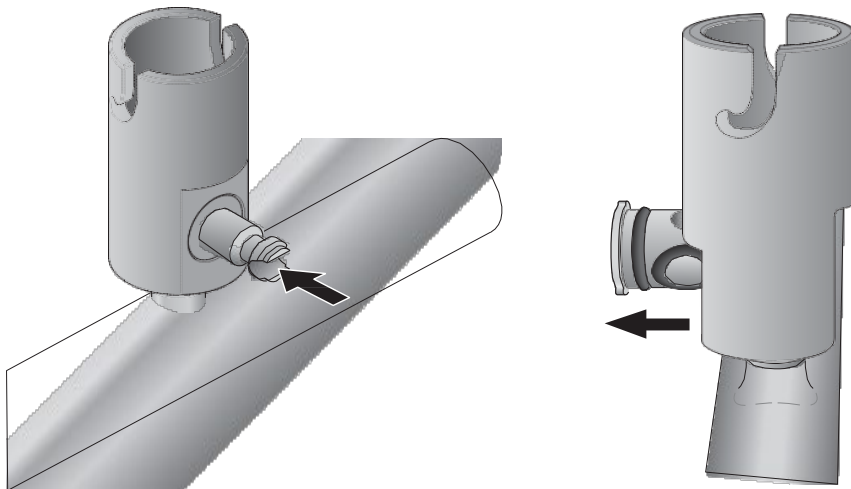
Cleaning and decontaminating the valve(s)

For each valve:

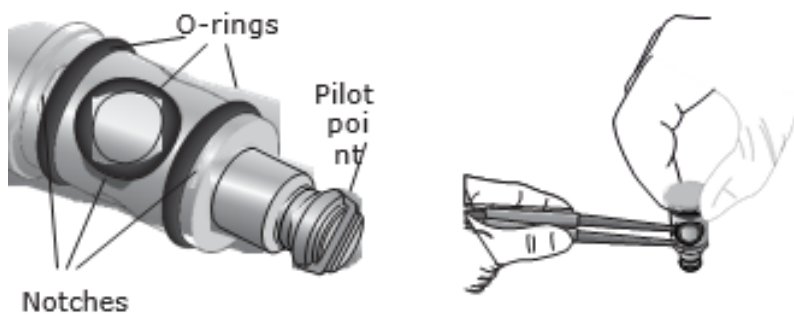
1. Open and close the valve a few times to facilitate the removal of the valve from the filtration head support
2. Disconnect the valve button from the valve, by pushing on the blue part of the valve button (with the thumb), while, at the same time, pulling on the valve button trigger (with the forefinger and middle finger).



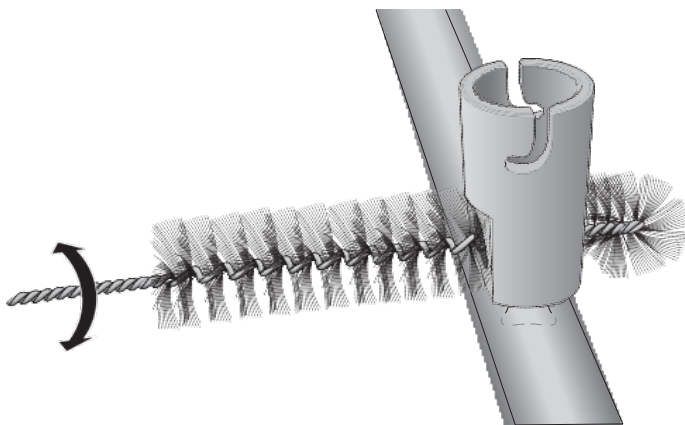
3. Remove the valve by pushing it through the filtration head support.



Remove each of the 3 O-rings from the valve by placing the tips of the filter forceps into the small notch near each O-ring. Grasp the ring in the tips of the forceps and remove it.



5. Clean the valve button, the valve, and the O-rings using a nonwoven wipe moistened with one of the products listed in the recommended cleaning agents list in this section.
6. Rinse the valve button, the valve, and the O-rings with clean water.
7. Optional: Autoclave the valve button, the valve, and the O-rings at 121 °C for 30 minutes.
8. Clean the valve housing using the dedicated big brush, which is part of the EZ-Fit™ Manifold Maintenance Kit (see "Ordering Information" in this user guide), moistened with one of the products listed in the recommended cleaning agents list in this section. Then rinse with clean water.

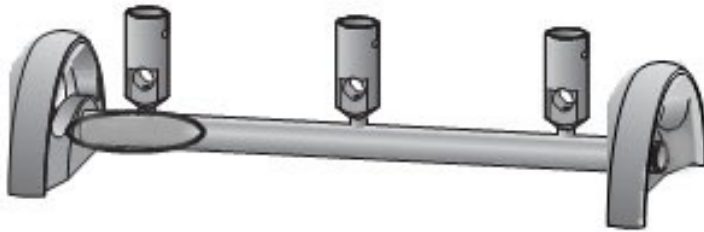


Lubricate the O-rings using the dedicated lubricant, which is part of the EZ-Fit™ Manifold Maintenance Kit (see "Ordering Information" in this user guide).

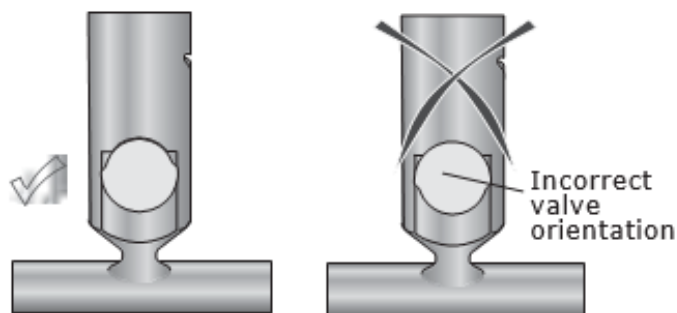
NOTE

Replace the valve O-rings on a yearly basis. Spare valve O-rings are part of the EZ-Fit™ Manifold O-Rings Kit (see "Ordering Information" in this user guide).

10. Put the O-rings back onto the valve.
11. Insert the valve into the valve housing from the side of the EZ-Fit™ Manifold on which the product catalog number is visible.

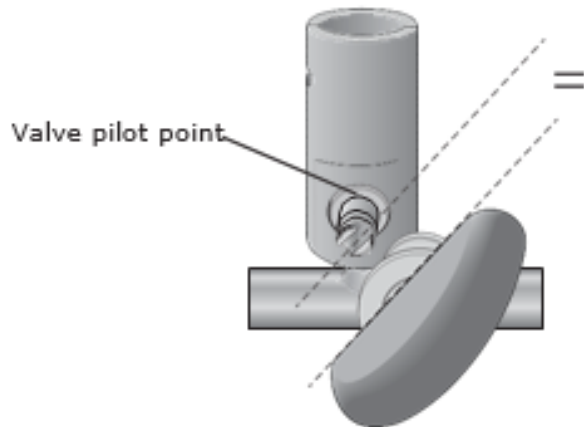


12. Make sure the valve is oriented according to the following illustration:

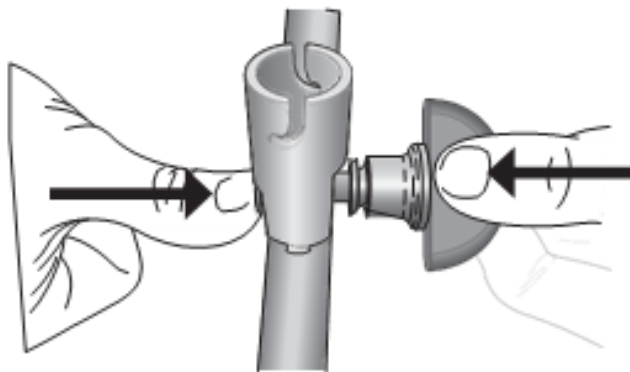


13. Push the valve to the end stop.

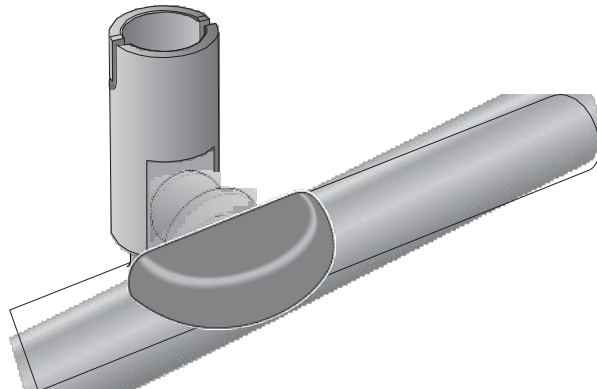
On the other side of the EZ-Fit™ Manifold, align the notch at the end of the valve pilot point with the blue valve button.



15. Keeping the end of the valve in place, push the valve button onto the valve pilot point until it clicks.



16. Actuate the valve button to check that it is properly assembled. Then, rotate the valve button clockwise to the end stop (closed position).

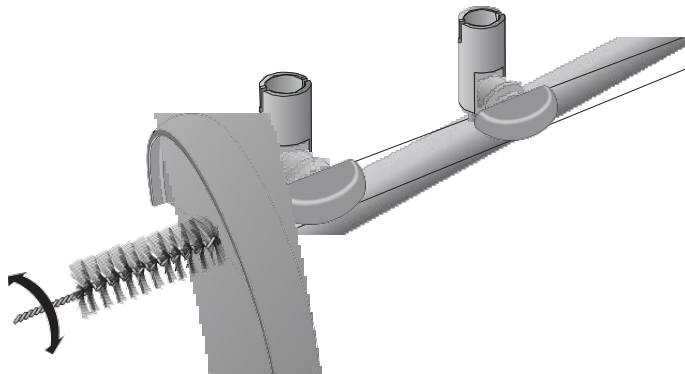


Cleaning and decontaminating the quick connections

1. Pull on the quick connections to remove them from the EZ-Fit™ Manifold pipe ends.
2. Clean the quick connections using a nonwoven wipe moistened with one of the products listed in the recommended cleaning agents list in this section.
3. Rinse the quick connections with clean water.
4. Optional: Autoclave the quick connections at 121 °C for 30 minutes.
5. Lubricate the quick connection O-rings using the dedicated lubricant, which is part of the EZ-Fit™ Manifold Maintenance Kit (see "Ordering Information" in this user guide).
6. Connect the quick connections to each manifold pipe end by pushing them onto the manifold pipe ends until they click.

Cleaning and decontaminating the pipe

1. Pull on the quick connections to remove them from the EZ-Fit™ Manifold pipe ends.
2. Clean the inside of the pipe using the dedicated big brush, which is part of the EZ-Fit™ Manifold Maintenance Kit (see "Ordering Information" in this user guide), moistened with one of the products listed in the recommended cleaning agents list in this section.



3. Rinse the inside of the pipe with clean water.
4. Optional: Autoclave the pipe and handles.
 - Remove the filtration head(s) and the O-ring(s) from the filtration head support(s) (see "Cleaning and decontaminating the filtration head support" in this section).
 - Remove the valve(s) (see "Cleaning and decontaminating the valves" in this section).
 - Autoclave the EZ-Fit™ Manifold pipe and handles at 121 °C for 30 minutes.
5. Assemble the EZ-Fit™ Manifold components to the pipe.

Ordering information

Description	Qty /Pk	Catalogue Number
EZ-Fit™ Manifolds		
EZ-Fit™ Manifold, 1-place for EZ-Fit™ filtration	1	EZFITEFUN1
EZ-Fit™ Manifold, 3-place for EZ-Fit™ filtration	1	EZFITEFUN3
EZ-Fit™ Manifold, 6-place for EZ-Fit™ filtration	1	EZFITEFUN6
EZ-Fit™ Manifold, 1-place for Microfil® funnels	1	EZFITMIC01
EZ-Fit™ Manifold, 3-place for Microfil® funnels	1	EZFITMIC03
EZ-Fit™ Manifold, 6-place for Microfil® funnels	1	EZFITMIC06
EZ-Fit™ Manifold, 1-place for Microfil® V or	1	EZFITLOW01
EZ-Fit™ Manifold, 3-place for Microfil® V or	1	EZFITLOW03
EZ-Fit™ Manifold, 6-place for Microfil® V or	1	EZFITLOW06
EZ-Fit™ Manifold 1-place for rubber stopper	1	EZFITHOLD1
EZ-Fit™ Manifold 3-place for rubber stopper	1	EZFITHOLD3
EZ-Fit™ Manifold 6-place for rubber stopper	1	EZFITHOLD6
EZ-Fit™ Manifold components		
EZ-Fit™ Manifold base, 1-place, stainless steel	1	EZFITBASE1
EZ-Fit™ Manifold base, 3-place, stainless steel	1	EZFITBASE3
EZ-Fit™ Manifold base, 6-place, stainless steel	1	EZFITBASE6
EZ-Fit™ filtration units filtration head for EZ-	1	EZFITMVHE1
EZ-Fit™ filtration units filtration head for EZ-	3	EZFITMVHE3
EZ-Fit™ adapter for using EZ-Fit™ filtration	3	EZFITMICAD
	1	EZFITMIHE1
Microfil® filtration head for EZ-Fit™ Manifold	3	EZFITMIHE3
	1	EZFITLOHE1
Microfil® V or Microfil® S filtration head for EZ-	3	EZFITLOHE3
	1	EZFITHIHE1
Filtration head for rubber stopper tulip for EZ-	3	EZFITHIHE3
	1	EZFITEXTE1
Height extension for EZ-Fit™ Manifold	3	EZFITEXTE3

Description	Qty /Pk	Catalogue Number
Spare parts		
EZ-Fit™ Manifold quick connection, 1 plug and	1	EZFITQUICKC
EZ-Fit™ Manifold check valve	3	EZFITBACKF
EZ-Fit™ Manifold O-Rings Kit (valve and	3	EZFITGASK3
EZ-Fit™ Manifold complete valve	1	EZFITVALV1
EZ-Fit™ Manifold removable porous filter	3	EZFITFRIT3
EZ-Fit™ Manifold Maintenance Kit including	1	EZFITMAKIT
N°8 blue stopper (9.5mm - 3/8 in.), silicone	5	XX2004718
EZ-Fit™ filtration units filtration head gasket	3	EZFITMVG3
Related products		
EZ-Stream™ vacuum Pump	1	EZSTREAM1
Silicone hose – Autoclavable Internal diameter: 9.5 mm (3/8 in.) Length: 5.0 m (196.8 in.)	1	STREAMTUB
Filter forceps	3	XX6200006P

Standard Product Warranty

The applicable warranty for the products listed in this publication may be found at:
www.millipore.com/ec/cp3/terms
(within the “Terms and Conditions of Sale” applicable to your purchase transaction).

Technical Assistance

For more information visit www.millipore.com/techservice.



The vibrant M, Millipore, Sigma-Aldrich, EZ-Stream, Microfil, 55-Plus, and EZ-Fit are trademarks of Merck KGaA, Darmstadt, Germany or its affiliates. Detailed information on trademarks is available via publicly accessible resources.

© 2019 Merck KGaA, Darmstadt, Germany and/or its affiliates. All Rights Reserved.

