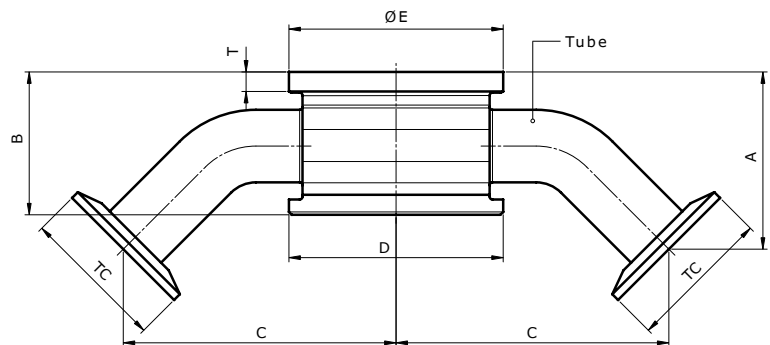


Specification Sheet

NovAseptic® Valve, Valve Body, Tank Outlet Valve 180°, Elbow 45° TC

Product Description

The NovAseptic® valve is specifically designed for aseptic applications and complies with the most stringent cleanability and sterilization requirements. The focus on aseptic design is a significant feature for all valves. The NovAseptic® valve is designed for minimum dead leg, complete drainability and high chemical resistance.



Catalogue No. Structure

NU###/452-322

= tube size

Nominal Dimensions in mm (in.)

Catalogue No.	A	B	C	D*	E	T	TC	NU###	Size	Tube
NU050/452-322	39.0 (1.535)	31.5 (1.240)	59.0 (2.323)	TR40 x 2	40.0 (1.575)	6.4 (0.252)	25.0 (0.984)	NU050	1/2"	12.7 x 1.65 (0.50 x 0.065)
NU075/452-322	55.0 (2.165)	39.0 (1.535)	98.0 (3.858)	TR55 x 2	55.0 (2.165)	7.2 (0.280)	25.0 (0.984)	NU075	3/4"	19.1 x 1.65 (0.75 x 0.065)
NU100/452-322	62.0 (2.441)	50.0 (1.969)	96.0 (3.780)	TR75 x 2	75.0 (2.953)	6.8 (0.267)	50.5 (1.988)	NU100	1"	25.4 x 1.65 (1.0 x 0.065)
NU150/452-322	79.0 (3.110)	64.0 (2.520)	115.0 (4.528)	TR85 x 2	85.0 (3.346)	6.9 (0.272)	50.5 (1.988)	NU150	1 1/2"	38.1 x 1.65 (1.5 x 0.065)

* Note: Non-standard thread, special thread to fit NovAseptic® actuators.

Net Valve volume/weight

Catalogue No.	Net Volume (valve cavity, diaphragm applied) mL	Net Weight (approximate) kg (lb)
NU050/452-322	4	0.2 (0.44)
NU075/452-322	10	0.5 (1.1)
NU100/452-322	30	0.9 (2.0)
NU150/452-322	80	1.5 (3.31)

Material	Bar		Tubing	
	Stainless Steel in Compliance with		Stainless Steel in Compliance with	
Material Code	316L	EN 1.4435	TP316L	EN 1.4435
Technical Requirements	ASME® SA-479	EN 10272	ASTM® A269/270	EN 10217-7/EN 10216-5

Specifications	
Surface Roughness	Internal surface (electro polished) $Ra \leq 0.38 \mu\text{m}$ (15 μin) External surface $Ra \leq 1.6 \mu\text{m}$ (63 μin)
Design Temperature, Valve Body	-80 to 200 °C (-112 to 392 °F)
Design Pressure, Valve Body	-1.03 to 10 bar(g) (-15 to 145 psi(g))
Note	The valve body can only be used with NovAseptic® diaphragm, actuator, and position indicator (optional). The applied diaphragm and actuator have different design temperature and/or pressure limits. The weakest component in the assembled product determines the maximum operating/design temperature and pressure limits.
Labeling	Each valve body is individually labeled for full traceability and heat No. according to our QA routines.
Packaging	All open ends on the valve body are protected with plastic covers on delivery and packaged in a closed box.
Quality Control	Our quality assurance system guarantees the control and traceability at all stages of the manufacturing.
Regulatory	<ul style="list-style-type: none"> The NovAseptic® valves, used with gas group 2 and liquid group 1, fall under the art. 4 § 3 of the Pressure Equipment Directive (2014/68/EU). They are not CE marked. However, the design has been evaluated for assembly by welding at a bottom of a vessel with a max allowable pressure of 10 bar and a max allowable temperature of 200 °C, with gas group 2 and liquid group 1. NovAseptic® valves follow the applicable ASME BPE guideline sections.
Options	For non-standard NovAseptic® valve body options, please contact us for further information.

Technical Assistance

For more information, please visit [SigmaAldrich.com](https://www.SigmaAldrich.com) for up-to-date worldwide contact information

