

Spare Parts List

Mobius® iFlex Bioreactor

Table of contents

System overview.....	2
Mobius® iFlex Systems sizes.....	2
Mobius® iFlex Bioreactor Component Overview.....	3
Spare Parts List.....	4
Kits.....	8

Illustrated views

Fed-Batch Tower Spare Parts.....	9
Bioreactor Vessel Spare Parts.....	13
Perfusion Tower Spare Parts.....	19
Accessories Spare Parts.....	23
Sensors and probes Spare Parts.....	24

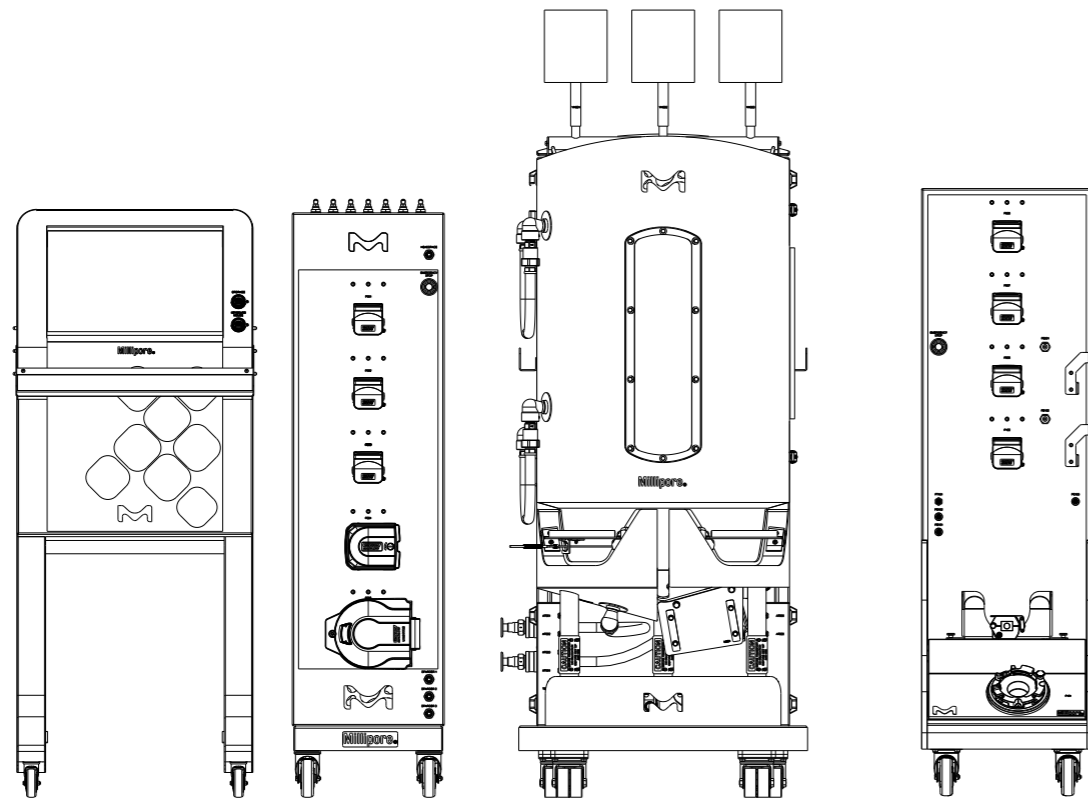


MilliporeSigma is the U.S. and Canadian Life Science business of Merck KGaA, Darmstadt, Germany.

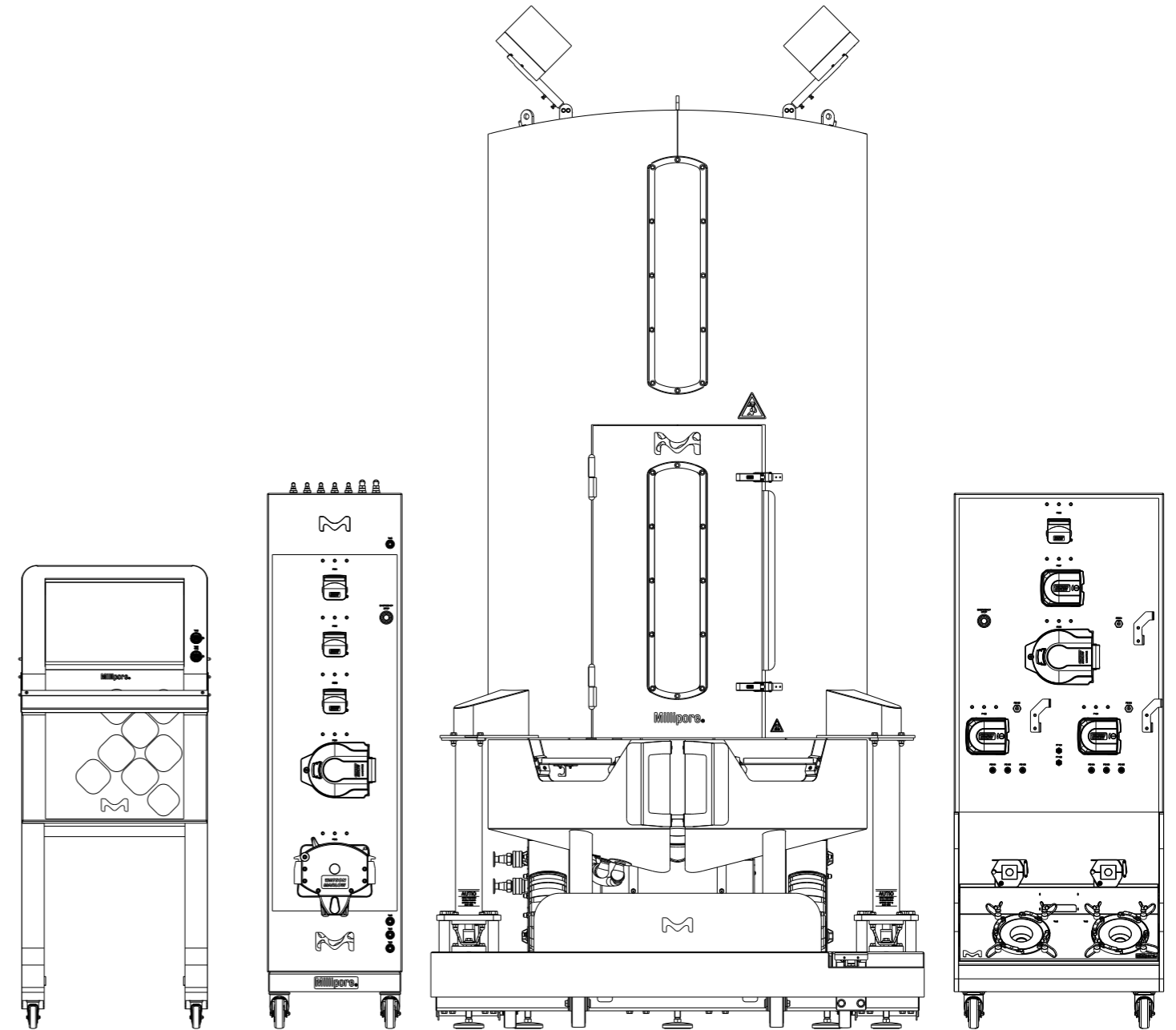
System overview

Mobius® iFlex Bioreactor Sizes

Mobius® iFlex Bioreactors are available in 200 L and 2000 L working volumes and are configurable to better fit your process needs.



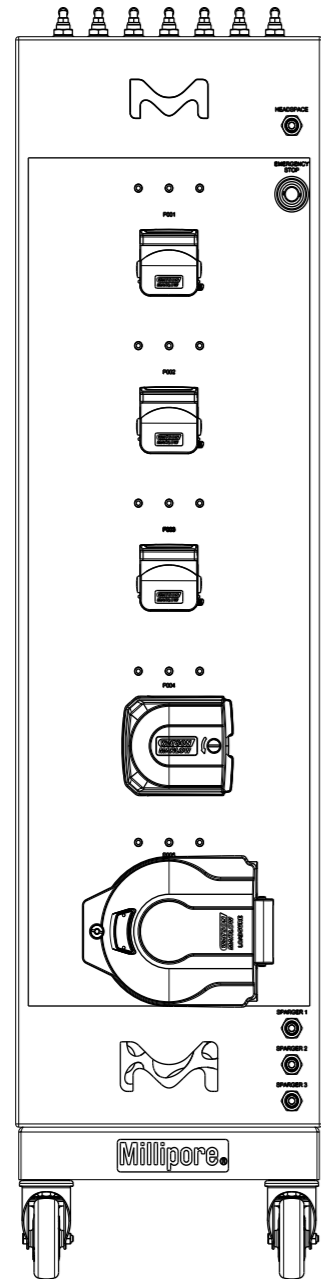
**Mobius® iFlex 200 L
Bioreactor**



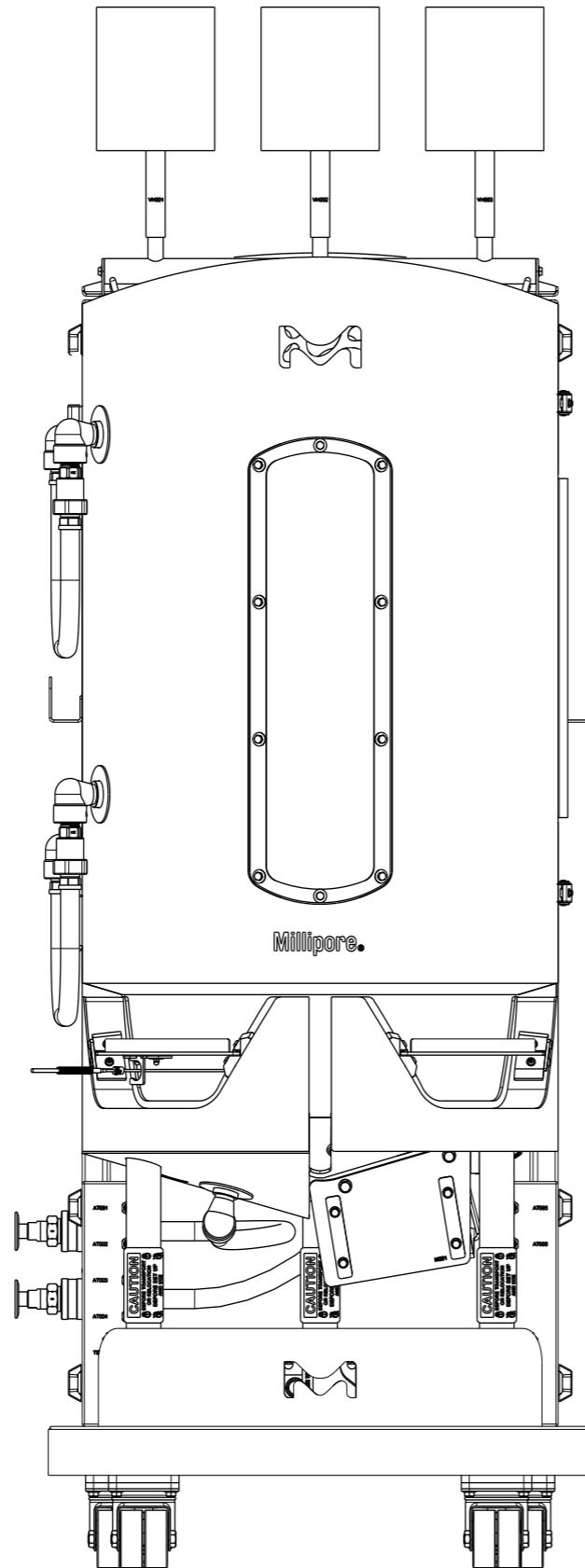
**Mobius® iFlex 2000 L
Bioreactor**

Mobius® iFlex Bioreactor Component Overview

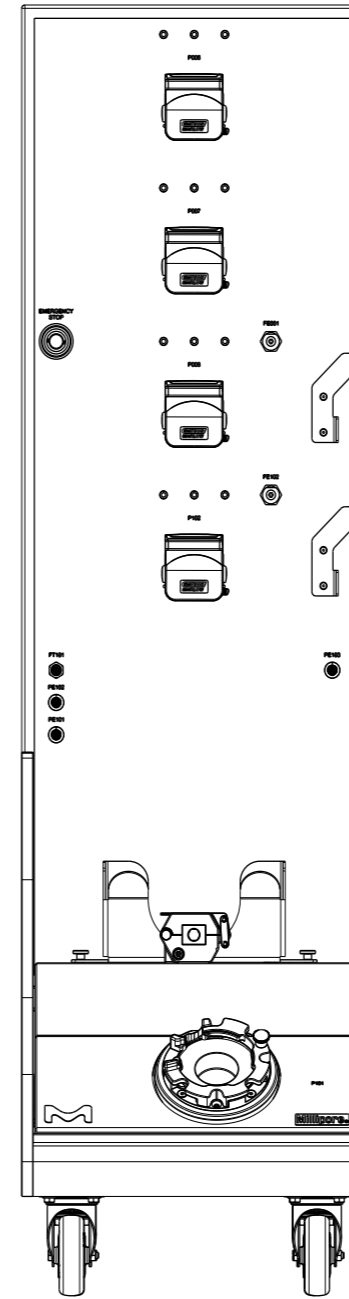
Mobius® iFlex Bioreactor consists in a platform with required Core Components to run a cell culture process, which can be completed with Optional Components. Mobius® iFlex Bioreactor consists in up to 4 towers as illustrated here.



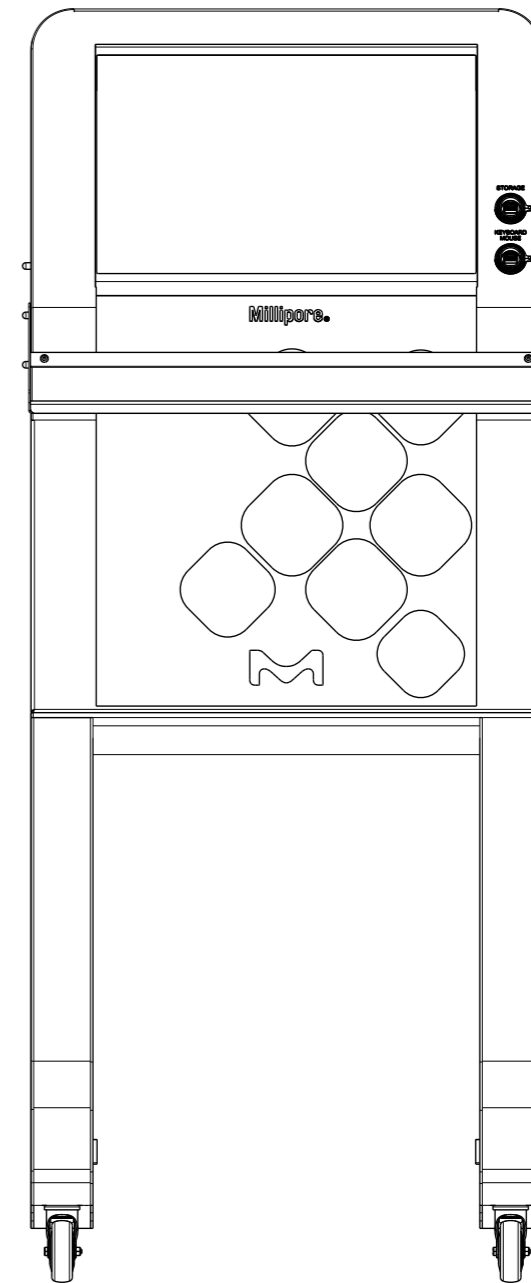
Fed-Batch Tower



Bioreactor Vessel



Perfusion Tower



Control Station

Spare Parts

To help you select and manage the spare parts required for your system, our experts have performed a risk assessment to determine which parts to keep in stock.

The risk assessment is based on our experience; each customer must perform their individual risk assessment for their process, to check the alignment with our strategy and review the stock requirements accordingly.

As a result of this risk assessment, we defined 3 categories of spare parts:

Type of parts	Description	Stock recommendation
Preventive maintenance parts	<p>These are parts that are subject to wear and tear and that we recommend replacing on a regular basis. Under average usage conditions, these parts should be replaced at least once per year. A risk assessment based on the specific system usage and production conditions may result in a requirement to replace some or all of these parts more frequently.</p> <p>Not replacing wear and tear parts as recommended can impact system functionality and may result in system shutdown.</p>	1 part per unit
Critical parts	<p>These parts have been identified as most critical to avoiding system downtime and are recommended to be kept in stock for immediate availability.</p>	1 part per unit
All other parts	<p>All other individual parts.</p>	Risk-based customer decision

Based on our risk analysis, preventive maintenance and critical spare parts are essential to keep your equipment running. We recommend keeping preventive maintenance and critical spare parts in stock.

For additional information, please visit: SigmaAldrich.com/services-plans

Item	Catalogue Number	Description	PM/Critical/Other	Frequency	Field Service Required	200 L	2000 L
#PM1	SPKGENELC045	Rittal filter mat SK 3171.100 pack of 5	PM	Every 12 months	No		X
#PM2	SPKGENELC046	Rittal filter mat SK 3322.700 pack of 5	PM	Every 12 months	No	X	
#1	SPKGENELC019	Rittal ebox fan SK 3238.124	Critical	As required	No	X	
#2	SPKGEN003	Rittal ebox fan SK 3239.124	Critical	As required	No		X
#3	SPKIPBINS001	Hamilton EasyFerm Bio HB Arc 225 pH1	Critical	As required	No	X	X
#4	SPKIPBINS002	Hamilton EasyFerm Bio HB Arc 225 pH2	Critical	As required	No	X	X
#5	SPKIPBINS021	Hamilton Arc Module SU pH1	Critical	As required	No	X	X
#6	SPKIPBINS022	Hamilton Arc Module SU pH2	Critical	As required	No	X	X
#7	SPKIPBINS003	Hamilton VisiFerm RS485-ECS 225 H0 DO1	Critical	As required	No	X	X
#8	SPKIPBINS004	Hamilton VisiFerm RS485-ECS 225 H0 DO2	Critical	As required	No	X	X
#9	SPKIPBINS023	Hamilton VisiFerm SU RS485-ECS 120 DO1	Critical	As required	No	X	X
#10	SPKIPBINS024	Hamilton VisiFerm SU RS485-ECS 120 DO2	Critical	As required	No	X	X
#11	SPKIPBINS005	Hamilton CO2NTROL RS485 225	Critical	As required	No	X	X
#12	SPKIPBINS006	Hamilton Arc Module Incyte-P SU	Critical	As required	No	X	X
#13	SPKIPBINS007	Hamilton Incyte Arc Expert 220	Critical	As required	No	X	X
#14	SPKIPBINS008	Jumo PT-100 Temperature Probe	Critical	As required	For Installation and Setup	X	X
15	SPKIPBINS009	1 m Data Cable VP8/M12	Critical	As required	No	X	
16	SPKIPBINS025	3 m Data Cable VP8/M12	Critical	As required	No		X
#B1	SPKIPBINS012	200 L SU pH1 Holder	Critical	As required	No	X	
#B2	SPKIPBINS013	200 L SU pH2 Holder	Critical	As required	No	X	
#B3	SPKIPBINS014	200 L SU DO1 & DO2 Holder	Critical	As required	No	X	
#B4	SPKIPBINS015	200 L MU DO1 & DO2 Holder	Critical	As required	No	X	
#B5	SPKIPBINS016	200 L SU VCD Holder	Critical	As required	No	X	
#B6	SPKIPBINS017	200L MU Holder	Critical	As required	No	X	
#B7	SPKIPBINS018	200 L Procellics™Holder	Critical	As required	No	X	
#B8	SPKIPBINS019	200 L MAST® Holder	Critical	As required	No	X	
#B9	SPKIPBINS020	200 L Kit for Holder Shelves	Critical	As required	No	X	
B10	SPKIPBINS010	200 L Interlock Pressure Sensor Cable	Critical	As required	No	X	
#E1	SPKIPBINS026	2000 L SU pH1 Holder	Critical	As required	No		X
#E2	SPKIPBINS027	2000 L SU pH2 Holder	Critical	As required	No		X
#E3	SPKIPBINS028	2000 L SU DO1 & DO2 Holder	Critical	As required	No		X
#E4	SPKIPBINS029	2000 L MU DO1 & DO2 Holder	Critical	As required	No		X
#E5	SPKIPBINS030	2000 L SU VCD Holder	Critical	As required	No		X
#E6	SPKIPBINS031	2000 L MU Holder	Critical	As required	No		X
#E7	SPKIPBINS032	2000 L Procellics™Holder	Critical	As required	No		X
#E8	SPKIPBINS033	2000 L MAST® Holder	Critical	As required	No		X
#E9	SPKIPBINS034	2000 L Kit for Holder Shelves	Critical	As required	No		X
E10	SPKIPBINS035	2000 L Interlock Pressure Sensor Cable	Critical	As required	No		X
#17	MIXSST0109442	Quick-Connect Coupling Male 3/4" NPT	Critical	As required	No	X	X
#18	MIXSST0109441	Quick-Connect Coupling Female 3/4" NPT	Critical	As required	No	X	X
#19	SPKHPI001GEN	Quick-Connect Coupling Male w/ 1.5 in TC	Critical	As required	No	X	X
#20	SPKGENAUT009	Wago Fieldbus Coupler EtherNet/IP	Critical	As required	For Installation	X	X
#21	SPKGENELC035	Wago 24 V 10 A Power Supply	Critical	As required	For Installation	X	X
#22	SPKGENAUT008	Wago Serial Interface RS232/RS486	Critical	As required	For Installation	X	X
#23	SPKGENAUT001	Wago Potential Distribution Card	Critical	As required	For Installation	X	X
#24	SPKGENELC040	Wago Power Supply 24 V/5-15 VDC	Critical	As required	For Installation	X	X
#25	SPKGENAUT002	Wago 8-Channel Digital Input Card	Critical	As required	For Installation	X	X
#26	SPKGENAUT006	Wago 1-Channel Analog Input Card	Critical	As required	For Installation	X	X

Note: Unless stated otherwise, default quantity (qty) is 1; you may need to order multiple units, based on your requirements.

Symbols indicate the part is illustrated in this document

Item	Catalogue Number	Description	PM/Critical/Other	Frequency	Field Service Required	200 L	2000 L
#27	SPKGENAUT005	Wago 2-Channel Analog Input Card	Critical	As required	For Installation	X	X
#28	SPKGENAUT003	Wago 8-Channel Digital Output Card	Critical	As required	For Installation	X	X
#29	SPKGENAUT004	Wago 4-Channel Analog Output Card	Critical	As required	For Installation	X	X
#30	SPKGENAUT010	Wago 16-Channel Digital Output Card	Critical	As required	For Installation	X	X
#31	SPKGENAUT007	Wago End Module	Critical	As required	For Installation	X	X
#32	SPKGENAUT011	Wago 4-channel Analog Input Adjust Card	Critical	As required	For Installation and Setup	X	X
#33	SPKGENINS020	Mettler ACT350 PDX ethernet/IP	Critical	As required	For Installation and Setup	X	X
#34	SPKCRSINS002	Feed Flowmeter LFSC-i16x-001	Critical	As required	No	X	
#35	SPKCRSINS003	Feed Flowmeter LFSC-i25x-001	Critical	As required	For installation and setup		X
#36	SPKCRSPMP003	Speed Controller LPC-2000.4-04	Critical	As required	For Installation		X
#37	SPKIPBTNK001	Levitronix® mixer controller LC325P	Critical	As required	For Installation	X	
#38	SPKIPBTNK002	Mixer controller LPC-4000S.3-12	Critical	As required	For Installation		X
#39	SPKCRSINS007	LFC-1C-PC Leviflow Converter	Critical	As required	No	X	X
40	Please contact us	Inter skid Power Cord 5G2.5 2 m 3Ph	Critical	As required	No	X	
41	Please contact us	Inter skid Power Cord 5G2.5 3 m 3Ph	Critical	As required	No		X
42	Please contact us	Inter Skid Power Cord 5G2.5 2 m DC	Critical	As required	No	X	
43	Please contact us	Inter Skid Power Cord 5G2.5 3 m DC	Critical	As required	No		X
44	Please contact us	Control St Power cord 5G2.5 7 m DC	Critical	As required	No	X	X
45	Please contact us	Power cord without plug 5G2.5 5 m	Critical	As required	No	X	
46	Please contact us	Power cord without plug 5G4 5 m	Critical	As required	No		X
47	SPKIPBAUT001	Interskid Ethernet cable 2 m	Critical	As required	No	X	
48	SPKIPBELC008	Interskid Ethernet cable 3 m	Critical	As required	No		X
49	SPKIPBAUT002	Interskid Ethernet cable 7 m	Critical	As required	No	X	X
50	SPKGENELC024	TCU cable for Lauda Variocool	Critical	As required	No	X	X
51	SPKGENINS025	Levitronix® Flowmeter Cable M12 0.9 m	Critical	As required	No	X	X
52	SPKGENINS008	Levitronix® LeviFlow 0.1 m intcn cable	Critical	As required	No	X	X
53	SPKGENINS027	Pendotech pressure sensor 1 ft ext cable	Critical	As required	No	X	X
#54	SPKGENELC016	Phoenix 24 V 20 A Power supply	Critical	As required	No	X	X
#55	SPKGENELC025	Phoenix 24 V 10 A Power supply	Critical	As required	No	X	X
#56	SPKGENELC023	Phoenix 100–240 Vac/48 Vdc 10 A Power supp	Critical	As required	No	X	X
#57	SPKGENELC038	Fuse IEC gG 10x38 500 VAC 10 A qty 3	Critical	As required	No	X	X
#58	SPKGENELC041	Fuse IEC gG 10x38 500 VAC 8 A qty 3	Critical	As required	No	X	
#59	SPKGENELC039	Fuse IEC gG 10x38 500 VAC 6 A qty 3	Critical	As required	No	X	
#60	SPKGENELC033	Fuse UL class J T/D 600 VAC 10 A qty 3	Critical	As required	No	X	
#61	SPKGENELC028	Socomec Fuser Bloc IEC 10X38 3+NC 25A	Critical	As required	For Installation	X	X
#62	SPKGENELC029	Socomec Fuser Bloc UL 3P+N 30 A	Critical	As required	For Installation	X	X
#63	SPKGENELC042	Schneider Fuseholder IEC 10x38 3P+N 32 A	Critical	As required	For Installation	X	X
#64	SPKGENELC050	Fuse UL class J T/D 600 VAC 20 A qty 3	Critical	As required	No		X
#65	SPKGENELC030	Fuse IEC gG 10x38 500 VAC 16 A qty 3	Critical	As required	No		X
#66	SPKGENELC047	Fuse IEC gG 10x38 500 VAC 20 A qty 3	Critical	As required	No		X
#67	SPKIPBELC004	Vent Filter Heater 1 m R03157X4	Critical	As required	No	X	X
#68	SPKGENINS021	Mettler module SLB605D 220 kg C3 M12	Critical	As required	For Installation	X	
#69	SPKGENINS038	Mettler module SLB605D 2200 kg C3 M12	Critical	As required	For Installation		X
#70	SPKHW000015	Jacking tool for SWB505/605 Size 2—Mettler	Critical	As required	No	X	X
#71	SPKHPI113BRX	Burkert 6013 solenoid valve	Critical	As required	For Installation	X	X
#72	SPKGENVLV009	Burkert 3-way Valve 330 Series	Critical	As required	For Installation	X	
#73	SPKGENPNE002	Burkert 6027 solenoid valve	Critical	As required	For Installation		X
#74	SPKIPBINS036	MFC Brooks SLA5850 5 slpm	Critical	As required	For Installation and Setup	X	
#75	SPKIPBINS037	MFC Brooks SLA5850 10 slpm	Critical	As required	For Installation and Setup	X	

Note: Unless stated otherwise, default quantity (qty) is 1; you may need to order multiple units, based on your requirements.

Symbols indicate the part is visible in this document

Item	Catalogue Number	Description	PM/Critical/Other	Frequency	Field Service Required	200 L	2000 L
#76	SPKIPBINS038	MFC Brooks SLA5850 20 slpm	Critical	As required	For Installation and Setup	X	X
#77	SPKIPBINS011	MFC Brooks SLA5850 50 slpm	Critical	As required	For Installation and Setup	X	X
78	SPKIPBINS039	MFC Brooks SLA5851 100 slpm	Critical	As required	For Installation and Setup		
#79	SPKIPBINS040	MFC Brooks SLA5853 200 slpm	Critical	As required	For Installation and Setup		X
#80	SPKGENINS039	IFM IGS236 inductive sensor	Critical	As required	For Installation		X
#81	SPKGENINS040	IFM MK5102 T-slot cylinder sensor	Critical	As required	For Installation		X
#82	SPKGENPMP008	WM Pump Head 313DW2 BLACK ONYX	Critical	As required	No	X	
#83	SPKGENPMP011	WM Pump Head 313DW BLACK ONYX	Critical	As required	No	X	X
#84	SPKGENPMP010	48 Vdc Drivesure for WM500 with gaskets	Critical	As required	For Installation	X	X
#85	SPKHPK123BRX	WM Pump Head 520R	Critical	As required	No	X	
#86	SPKGENPMP009	WM Pump Head 520R2	Critical	As required	No		X
#87	SPKGENPMP013	48 Vdc Drivesure for WM300 with gaskets	Critical	As required	For Installation	X	X
#88	SPKHPK125BRX	620R Pump Head Spare Parts Kit	Critical	As required	No	X	X
#89	SPKHPK126BRX	720R Pump Head Spare Parts Kit	Critical	As required	No		X
#90	SPKGENPMP012	Anaheim Speed Controller MDC151-050601	Critical	As required	For Installation and Setup	X	X
#91	SPKIPBPMP001	Perfusion Feed Pump IPD-600.1	Critical	As required	For installation	X	
#92	SPKGENPMP007	Feed Pump LPM-2000.7-10	Critical	As required	For installation		X
#93	SPKGENTNK001	Levitronix® 1200 W mixer motor BSM-4.7-30	Critical	As required	For Installation	X	
#94	SPKGENTNK002	Levitronix® mixer motor mixer LPM-10K.1	Critical	As required	For Installation		X
#OT1	SPKIPBAUT003	External I/O Murr Node	Other	As required	For Installation	X	X
#OT2	SPKIPBELC005	Lighting M	Other	As required	No	X	X

Note: Unless stated otherwise, default quantity (qty) is 1; you may need to order multiple units, based on your requirements.

Symbols indicate the part is visible in this document

Kits

Kits for 200 L

Items to order for single-use pH and DO instruments

Qty	Item	Cat. No.	Description
1x	#5	SPKIPBINS021	Hamilton Arc Module SU pH1
1x	#6	SPKIPBINS022	Hamilton Arc Module SU pH2
1x	#9	SPKIPBINS023	Hamilton VisiFerm SU RS485-ECS 120 DO1
1x	#10	SPKIPBINS024	Hamilton VisiFerm SU RS485-ECS 120 DO2
4x	15	SPKIPBINS009	1 m Data Cable VP8/M12
1x	#B1	SPKIPBINS012	200 L SU pH1 Holder
1x	#B2	SPKIPBINS013	200 L SU pH2 Holder
1x	#B3	SPKIPBINS014	200 L SU DO1 & DO2 Holder

Items to order for multi-use pH and DO instruments

Qty	Item	Cat. No.	Description
1x	#3	SPKIPBINS001	Hamilton EasyFerm Bio HB Arc 225 pH1
1x	#4	SPKIPBINS002	Hamilton EasyFerm Bio HB Arc 225 pH2
1x	#7	SPKIPBINS003	Hamilton VisiFerm RS485-ECS 225 H0 DO1
1x	#8	SPKIPBINS004	Hamilton VisiFerm RS485-ECS 225 H0 DO2
4x	15	SPKIPBINS009	1 m Data Cable VP8/M12
1x	#B4	SPKIPBINS015	200 L MU DO1 & DO2 Holder
2x	#B6	SPKIPBINS017	200 L MU Holder

Items to order for VCD single-use

Qty	Item	Cat. No.	Description
1x	#12	SPKIPBINS006	Hamilton Arc Module Incyte-P SU
1x	15	SPKIPBINS009	1 m Data Cable VP8/M12
1x	#B5	SPKIPBINS016	200 L SU VCD Holder

Items to order for VCD multi-use

Qty	Item	Cat. No.	Description
1x	#13	SPKIPBINS007	Hamilton Incyte Arc Expert 220
1x	15	SPKIPBINS009	1 m Data Cable VP8/M12
1x	#B6	SPKIPBINS017	200 L MU Holder

Items to order for pCO₂

Qty	Item	Cat. No.	Description
1x	#11	SPKIPBINS005	Hamilton CO2NTROL RS485 225
1x	15	SPKIPBINS009	1 m Data Cable VP8/M12
1x	#B6	SPKIPBINS017	200 L MU Holder

Kits for 2000 L

Items to order for single-use pH & DO instruments

Qty	Item	Cat. No.	Description
1x	#5	SPKIPBINS021	Hamilton Arc Module SU pH1
1x	#6	SPKIPBINS022	Hamilton Arc Module SU pH2
1x	#9	SPKIPBINS023	Hamilton VisiFerm SU RS485-ECS 120 DO1
1x	#10	SPKIPBINS024	Hamilton VisiFerm SU RS485-ECS 120 DO2
4x	16	SPKIPBINS025	3 m Data Cable VP8/M12
1x	#E1	SPKIPBINS026	2000 L SU pH1 Holder
1x	#E2	SPKIPBINS027	2000 L SU pH2 Holder
1x	#E3	SPKIPBINS028	2000 L SU DO1 & DO2 Holder

Items to order for multi-use pH & DO instruments

Qty	Item	Cat. No.	Description
1x	#3	SPKIPBINS001	Hamilton EasyFerm Bio HB Arc 225 pH1
1x	#4	SPKIPBINS002	Hamilton EasyFerm Bio HB Arc 225 pH2
1x	#7	SPKIPBINS003	Hamilton VisiFerm RS485-ECS 225 H0 DO1
1x	#8	SPKIPBINS004	Hamilton VisiFerm RS485-ECS 225 H0 DO2
4x	16	SPKIPBINS025	3 m Data Cable VP8/M12
1x	#E4	SPKIPBINS029	2000 L MU DO1 & DO2 Holder
2x	#E6	SPKIPBINS031	2000 L MU Holder

Items to order for VCD single-use

Qty	Item	Cat. No.	Description
1x	#12	SPKIPBINS006	Hamilton Arc Module Incyte-P SU
1x	16	SPKIPBINS025	3 m Data Cable VP8/M12
1x	#E5	SPKIPBINS030	2000 L SU VCD Holder

Items to order for VCD multi-use

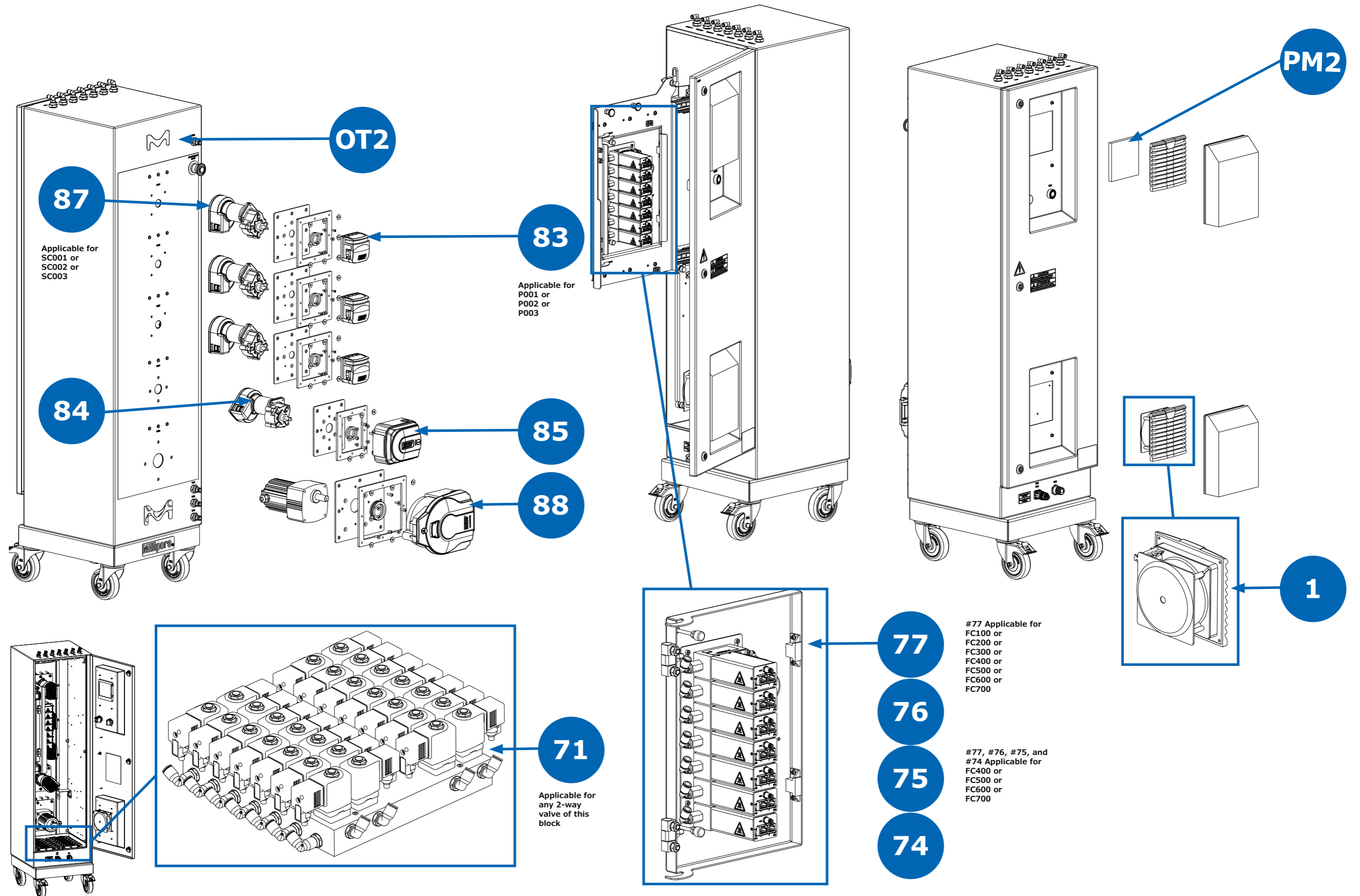
Qty	Item	Cat. No.	Description
1x	#13	SPKIPBINS007	Hamilton Incyte Arc Expert 220
1x	16	SPKIPBINS025	3 m Data Cable VP8/M12
1x	#E6	SPKIPBINS031	2000 L MU Holder

Items to order for pCO₂

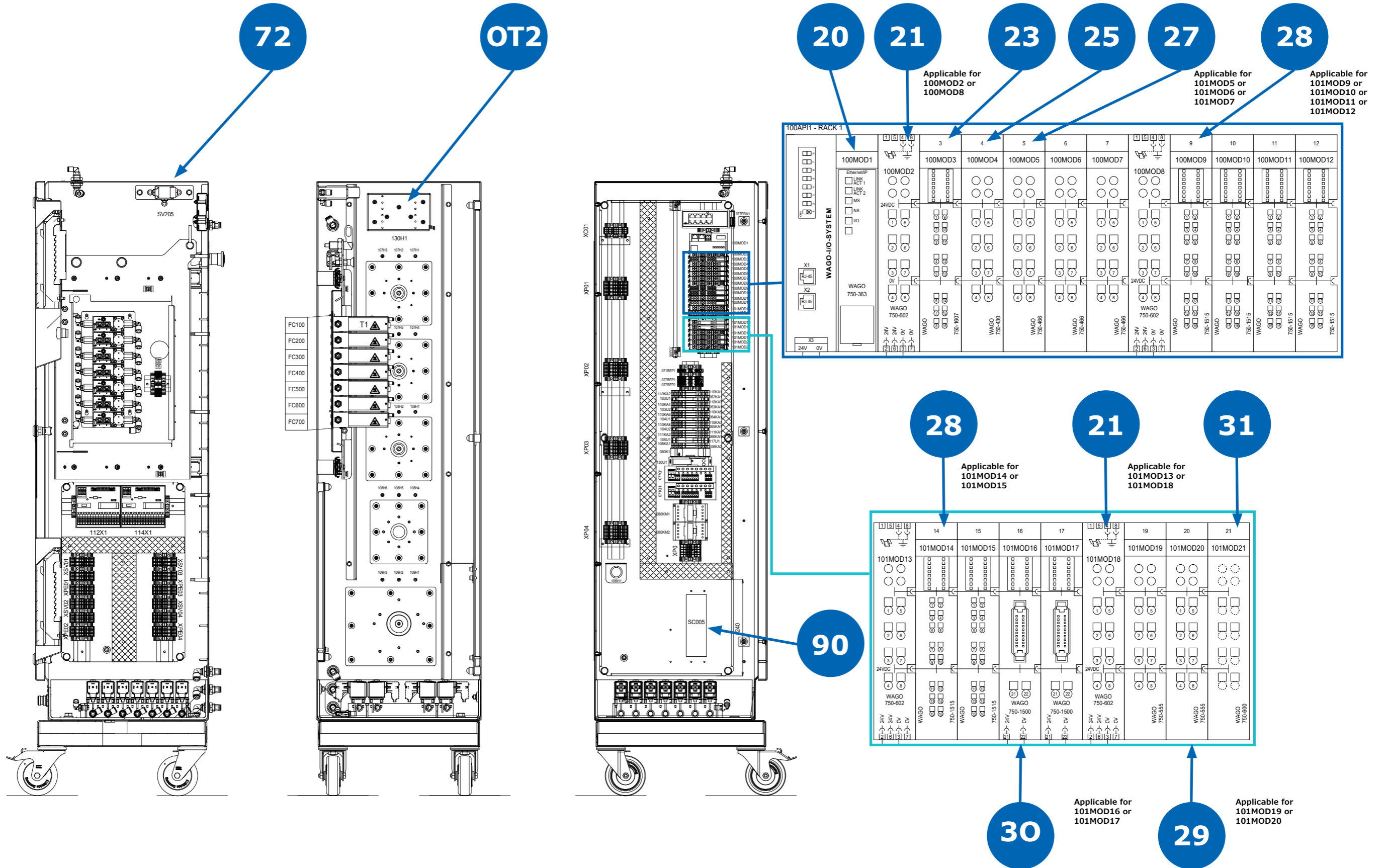
Qty	Item	Cat. No.	Description
1x	#11	SPKIPBINS005	Hamilton CO2NTROL RS485 225
1x	16	SPKIPBINS025	3 m Data Cable VP8/M12
1x	#E6	SPKIPBINS031	2000 L MU Holder

Fed-Batch Tower Spare Parts

200 L

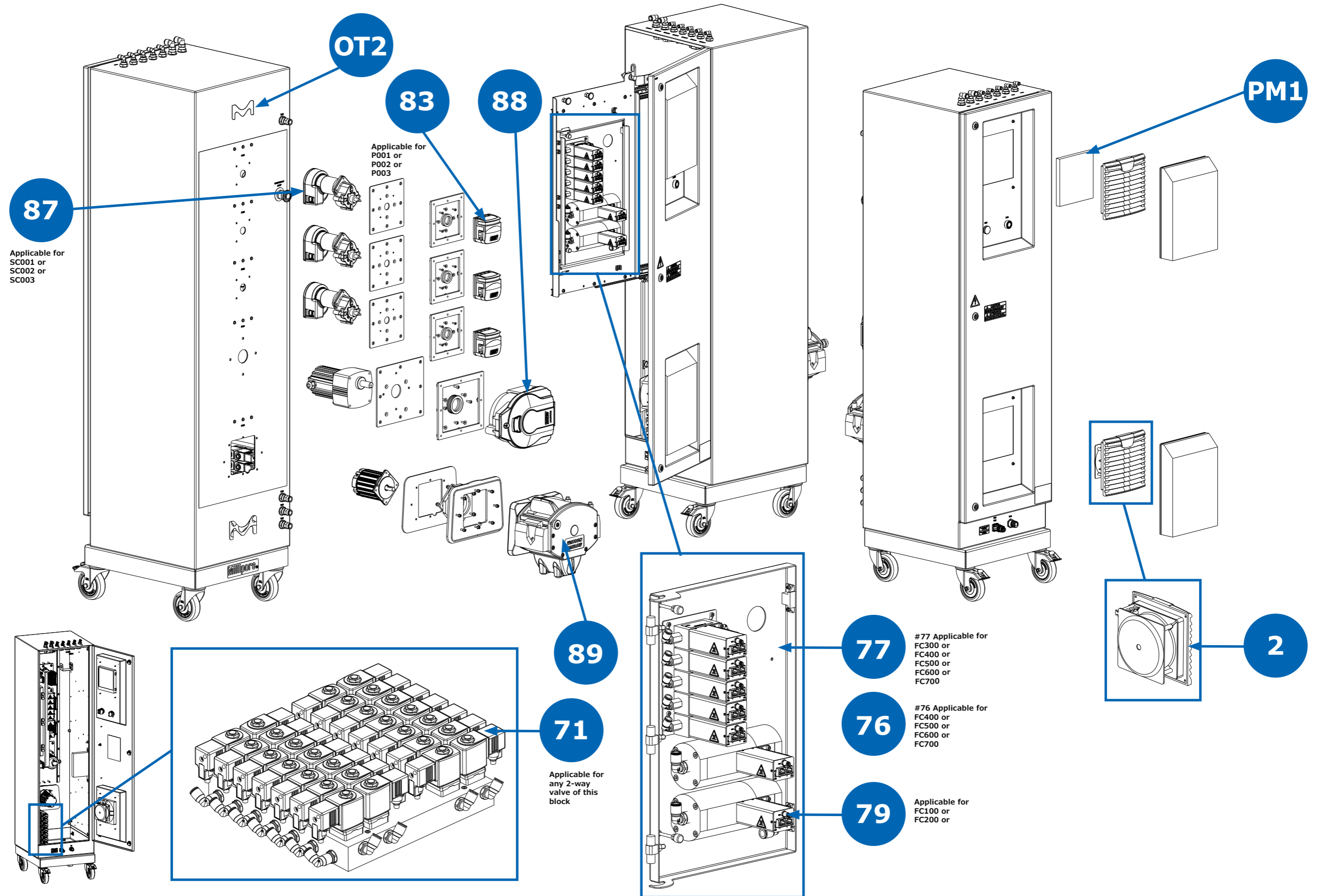


200 L (Continued)

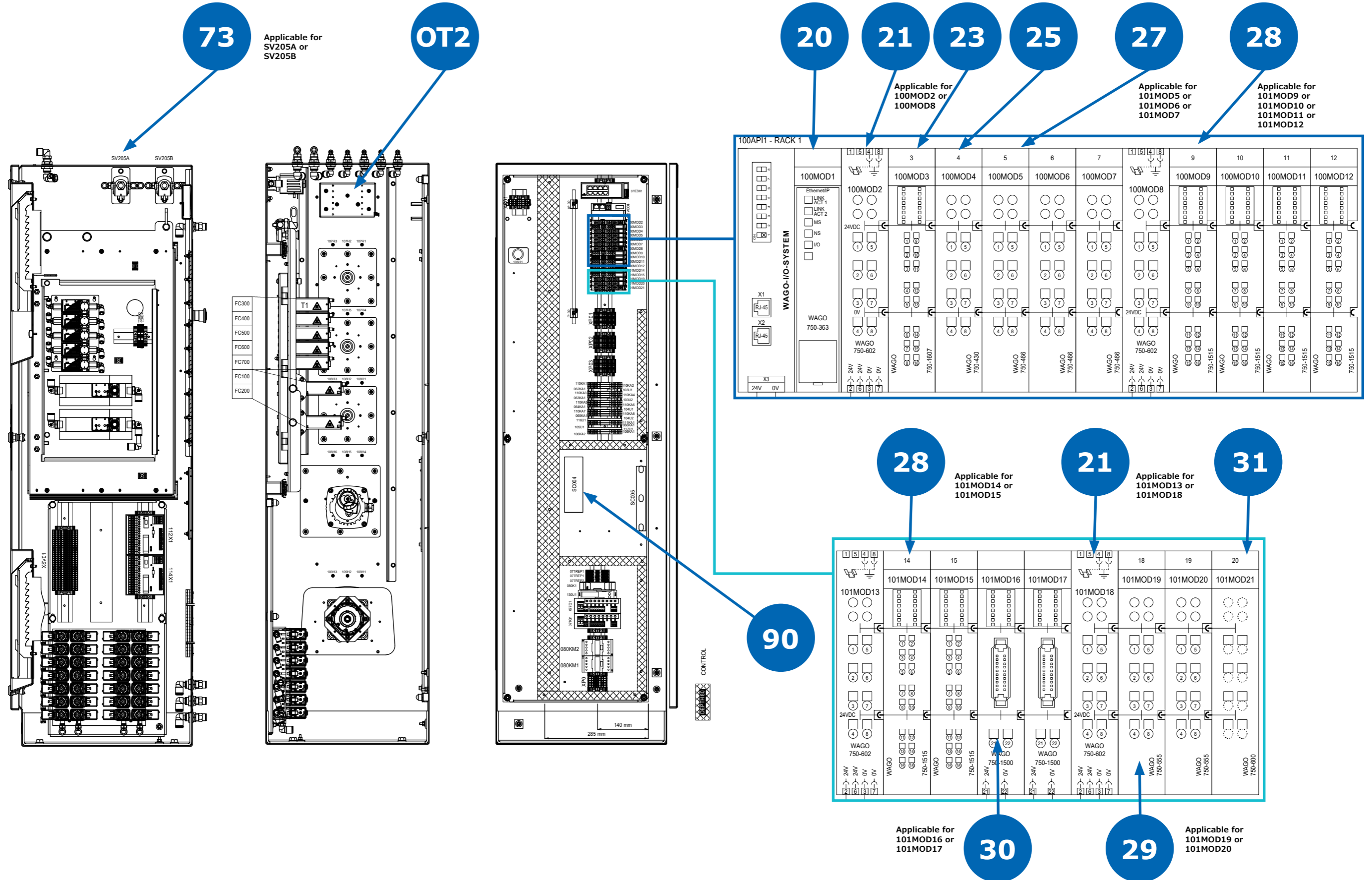


Fed-Batch Tower Spare Parts

2000 L

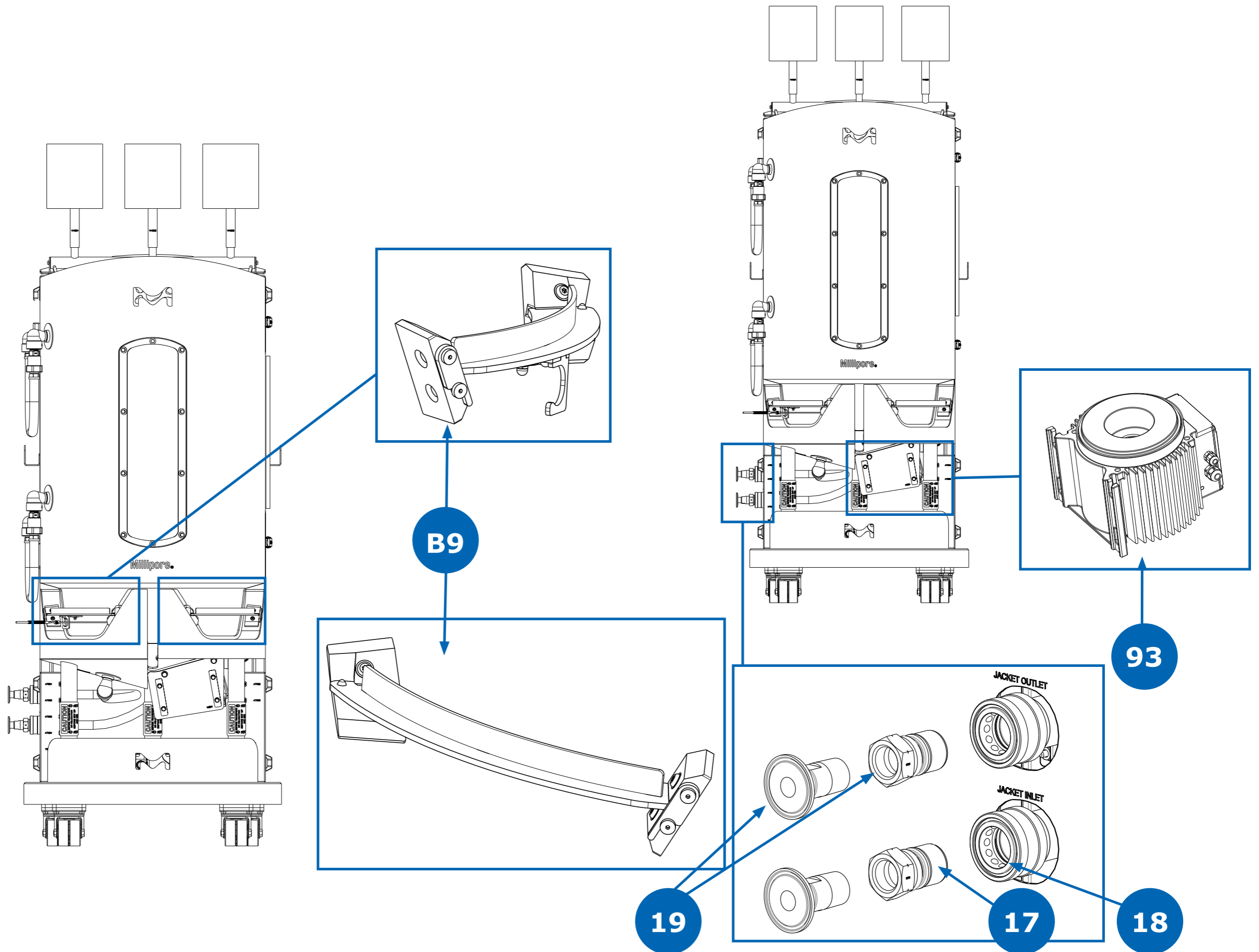


2000 L (Continued)



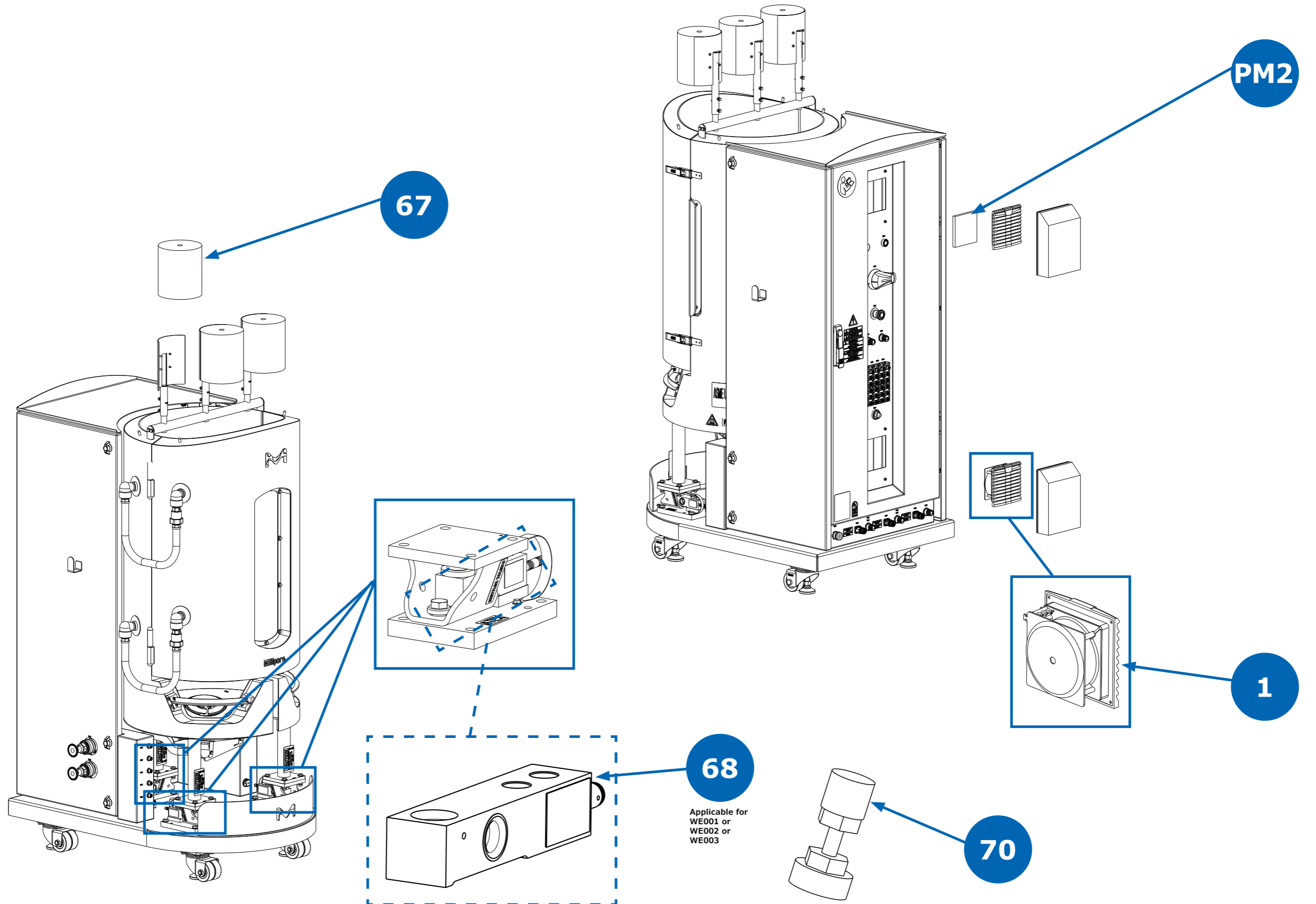
Bioreactor Vessel Spare Parts

200 L



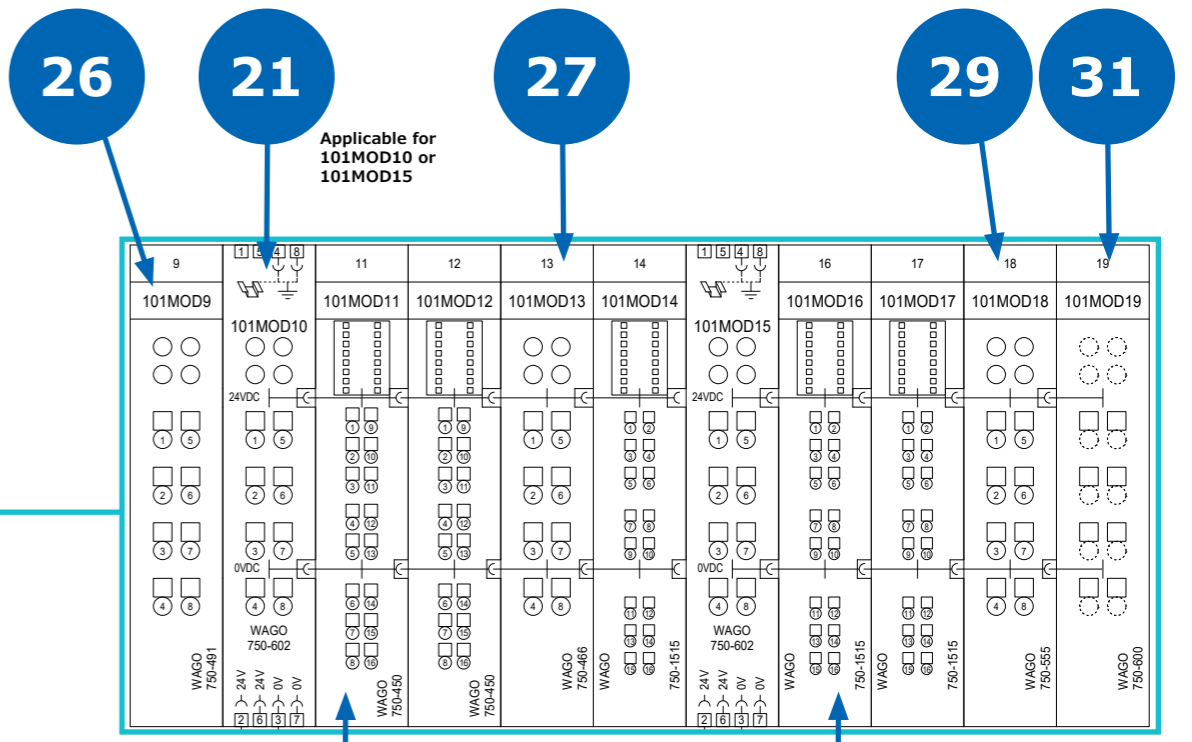
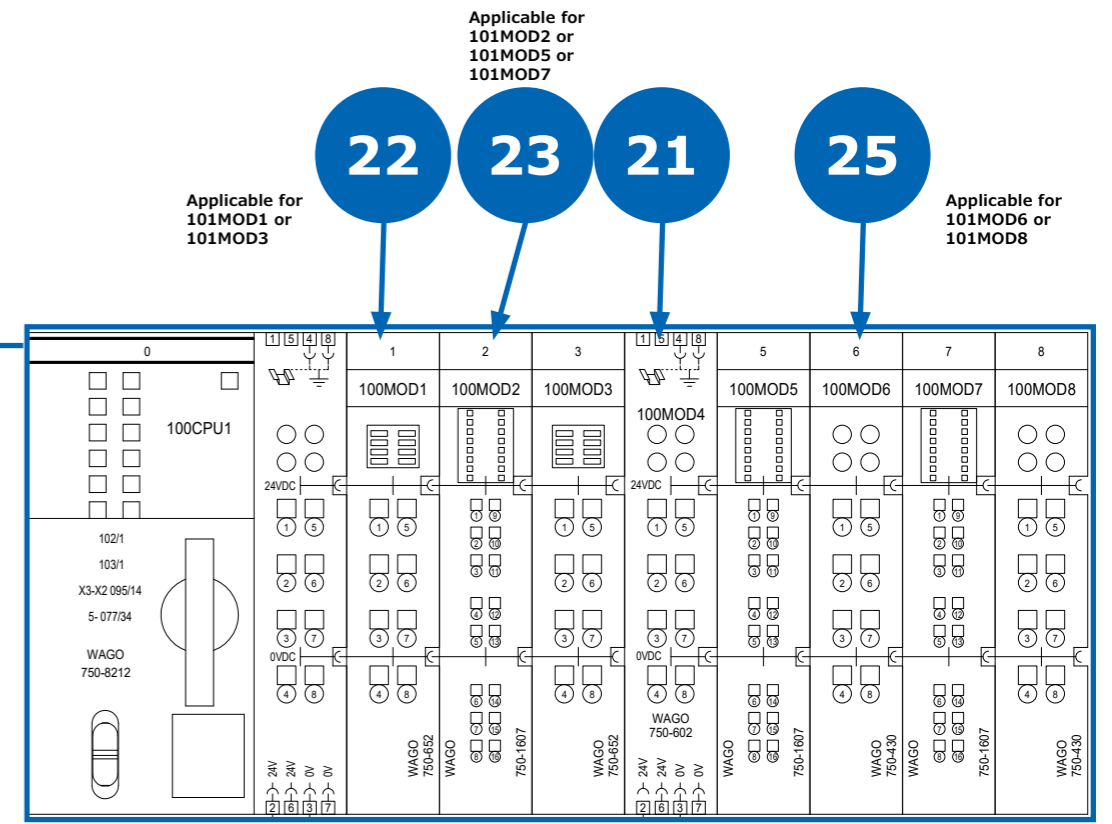
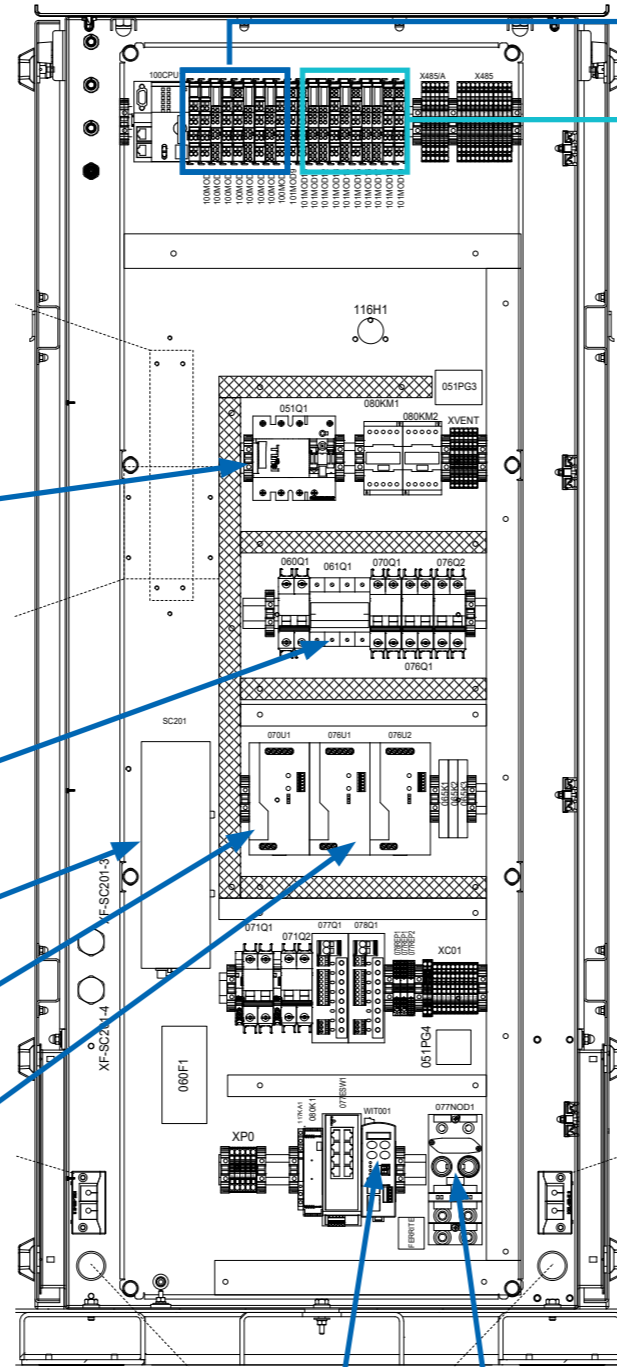
#19 includes #17

200 L (Continued)



200 L (Continued)

- 62
- 61
- 60
- 58
- 57
- 59
- 63
- 37
- 56
- 54

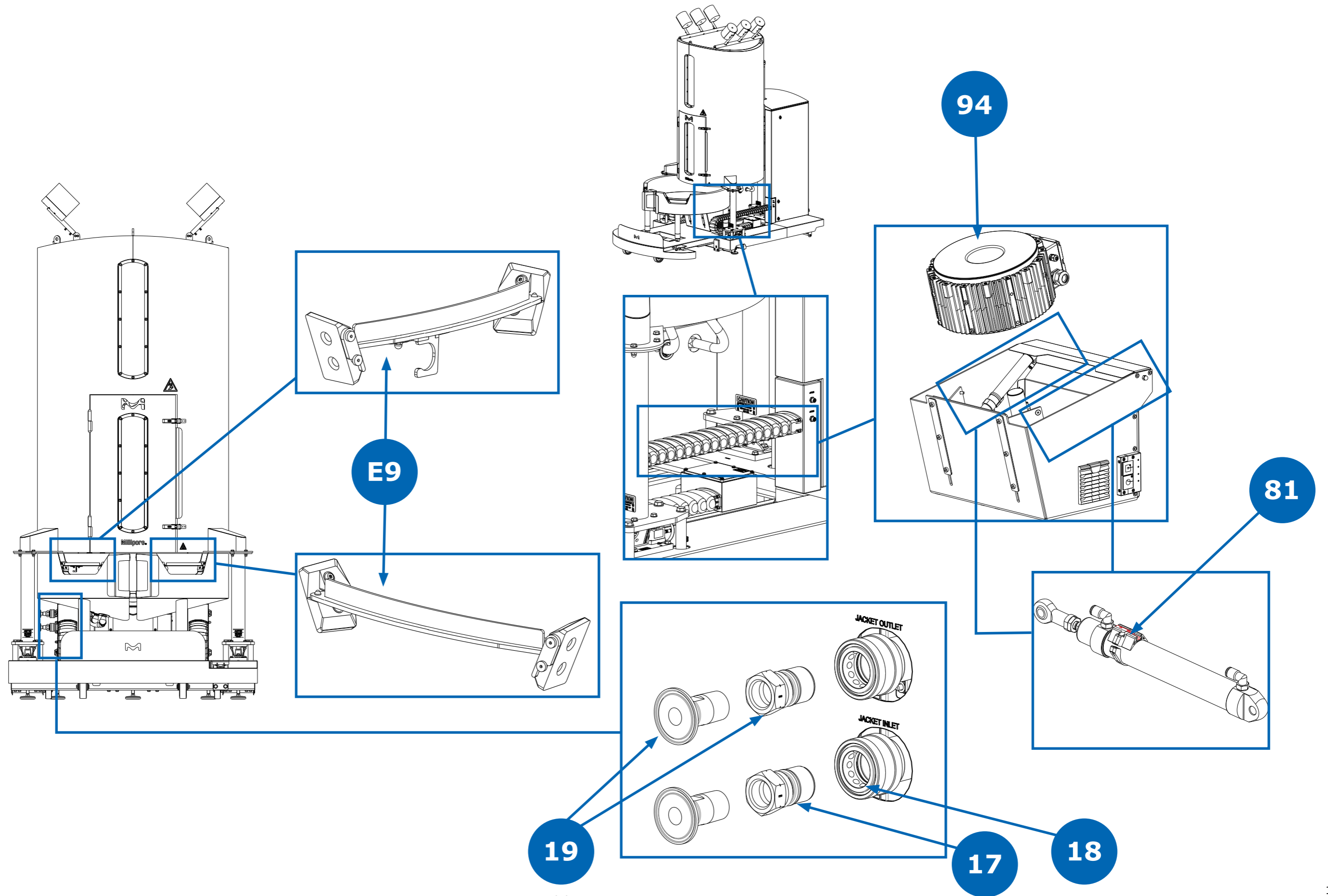


- 33
- OT1

- Applicable for 101MOD11 or 101MOD12
- Applicable for 101MOD14 or 101MOD16 or 101MOD17

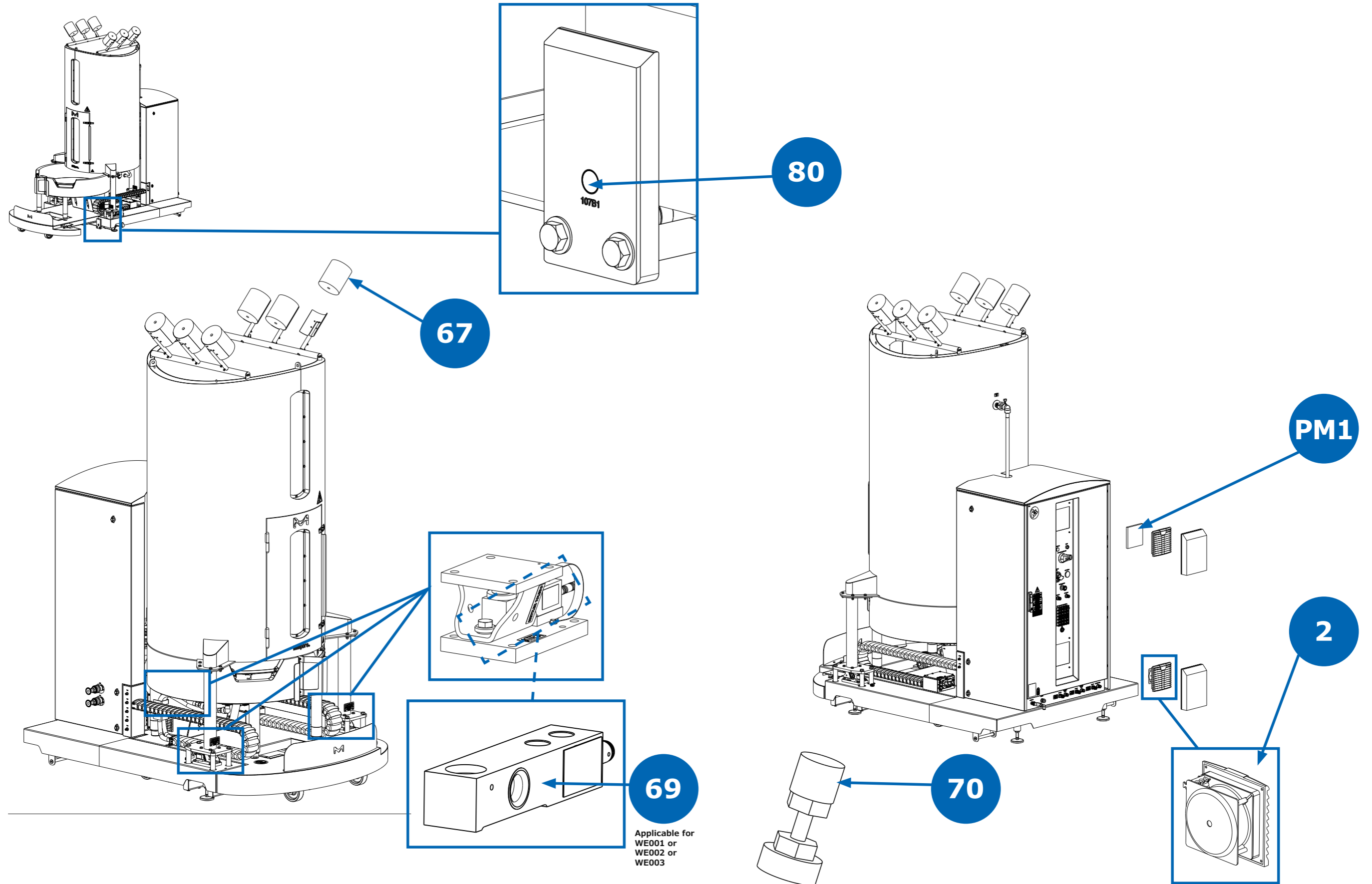
Bioreactor Vessel Spare Parts

2000 L



#19 includes #17

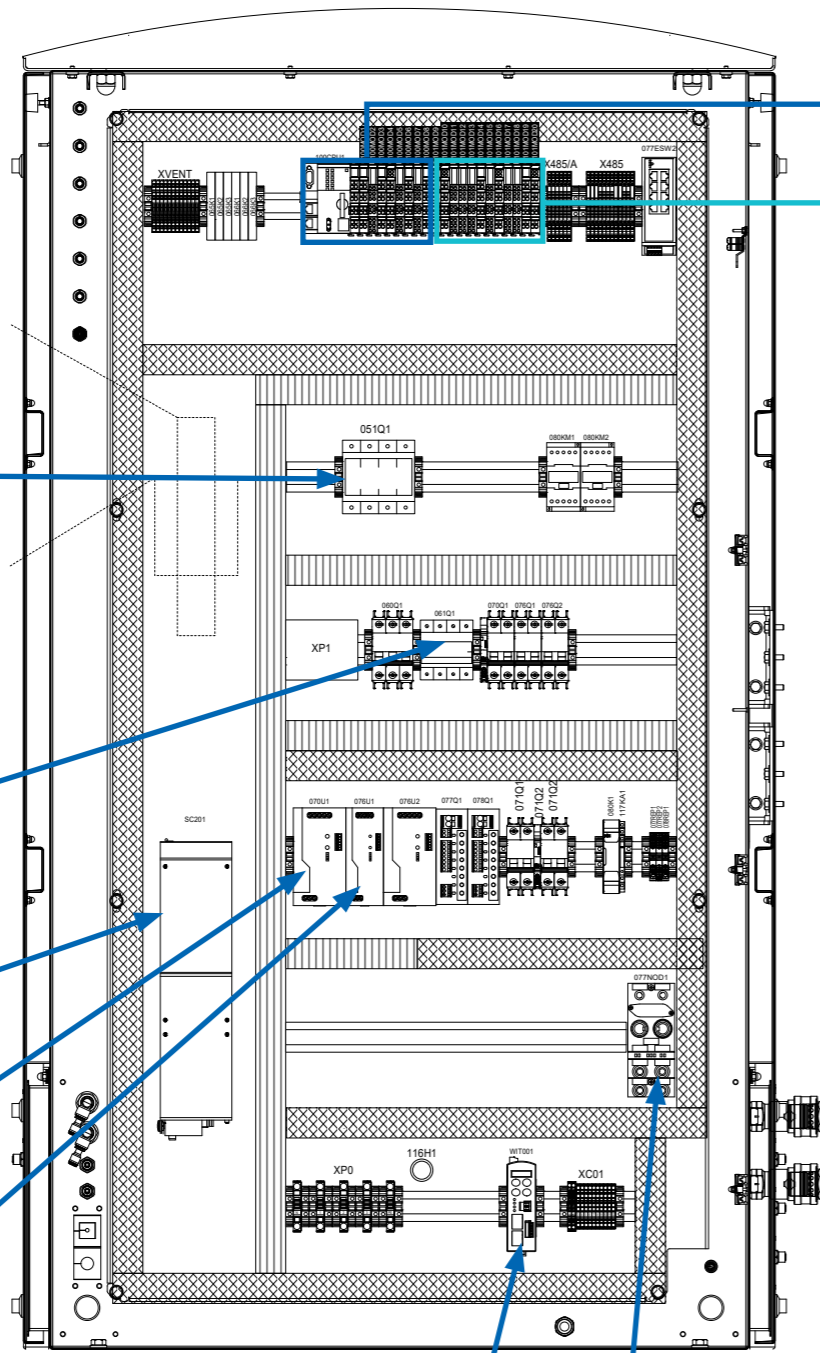
2000 L (Continued)



2000 L (Continued)

- 57
- 66
- 64
- 62
- 61
- 65
- 63
- 38
- 56
- 54

Applicable for 076U1 or 076U2



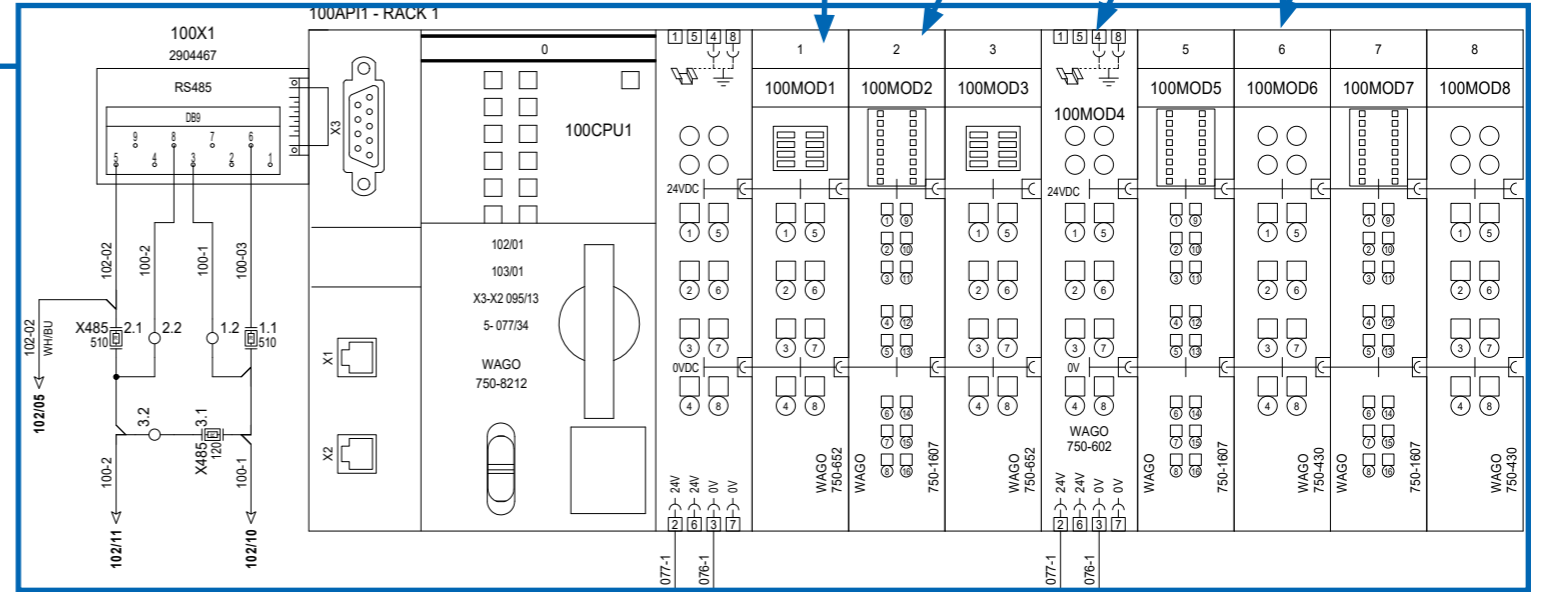
- 33
- OT1

- 22
- 23
- 21
- 25

Applicable for 101MOD1 or 101MOD3

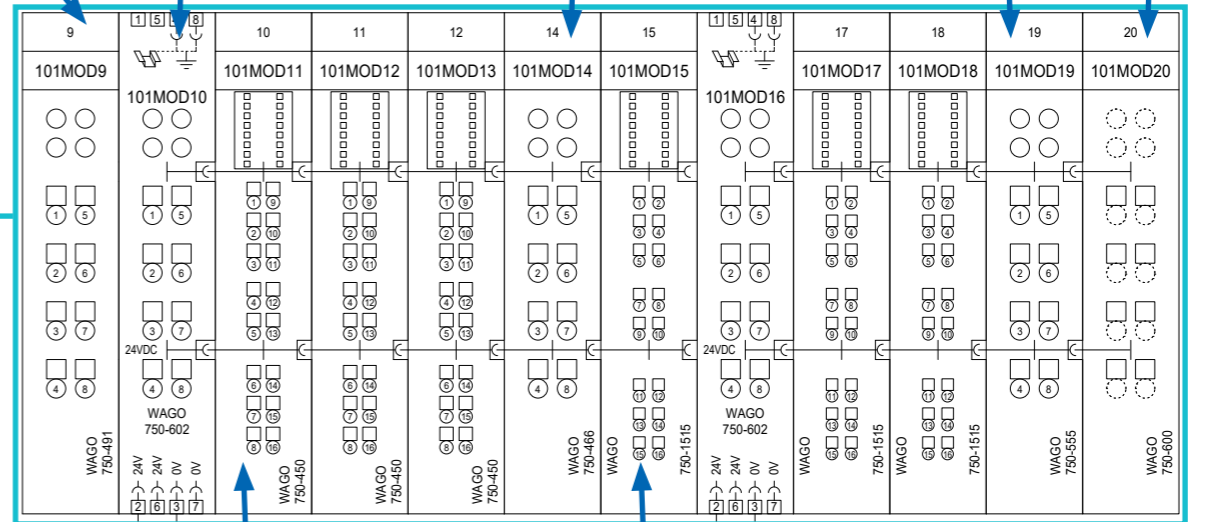
Applicable for 101MOD2 or 101MOD5 or 101MOD7

Applicable for 101MOD6 or 101MOD8



- 26
- 21
- 27
- 29
- 31

Applicable for 101MOD10 or 101MOD16



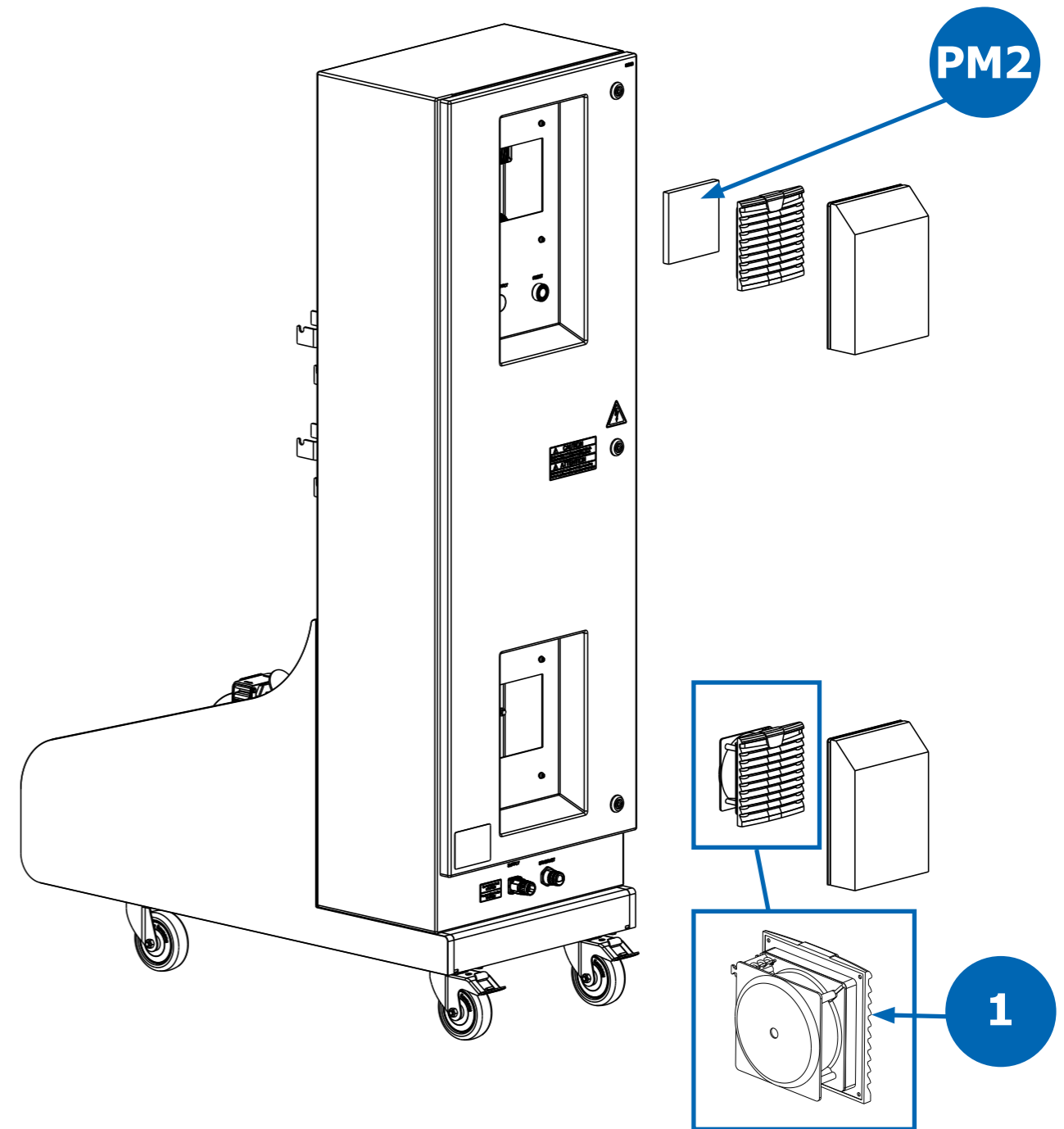
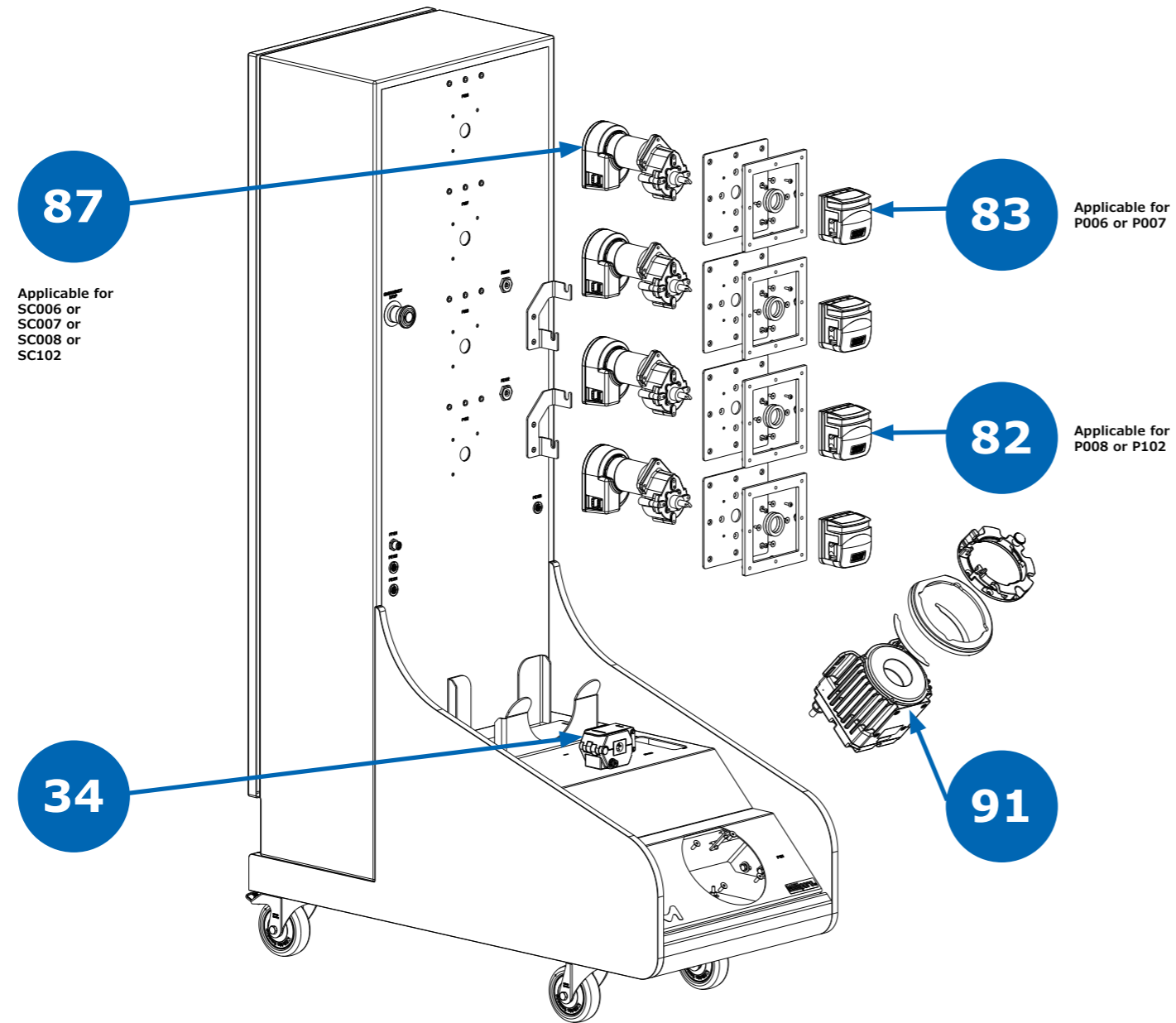
- 32
- 28

Applicable for 101MOD11 or 101MOD12 or 101MOD13

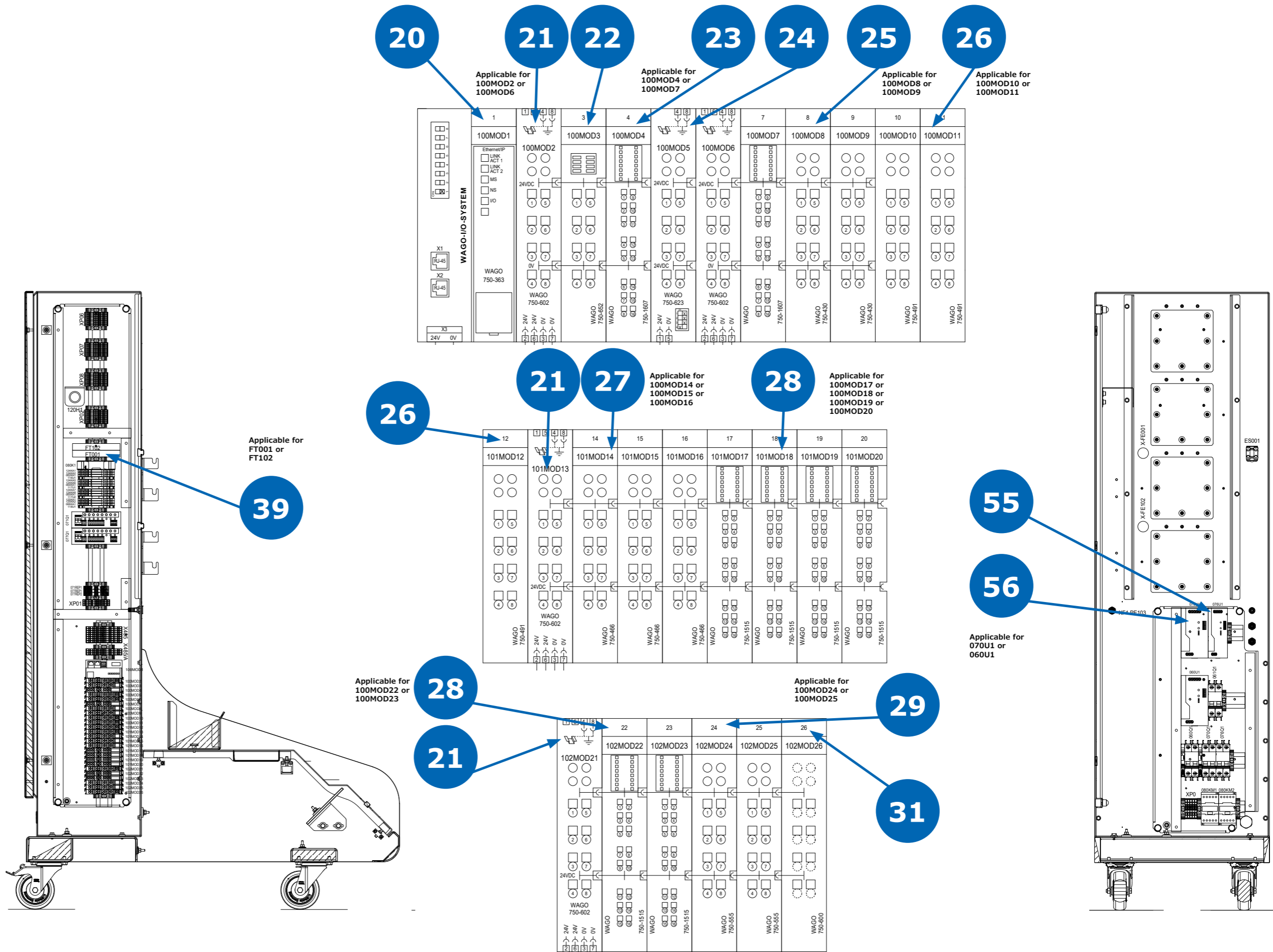
Applicable for 101MOD15 or 101MOD17 or 101MOD18

Perfusion Tower Spare Parts

200 L

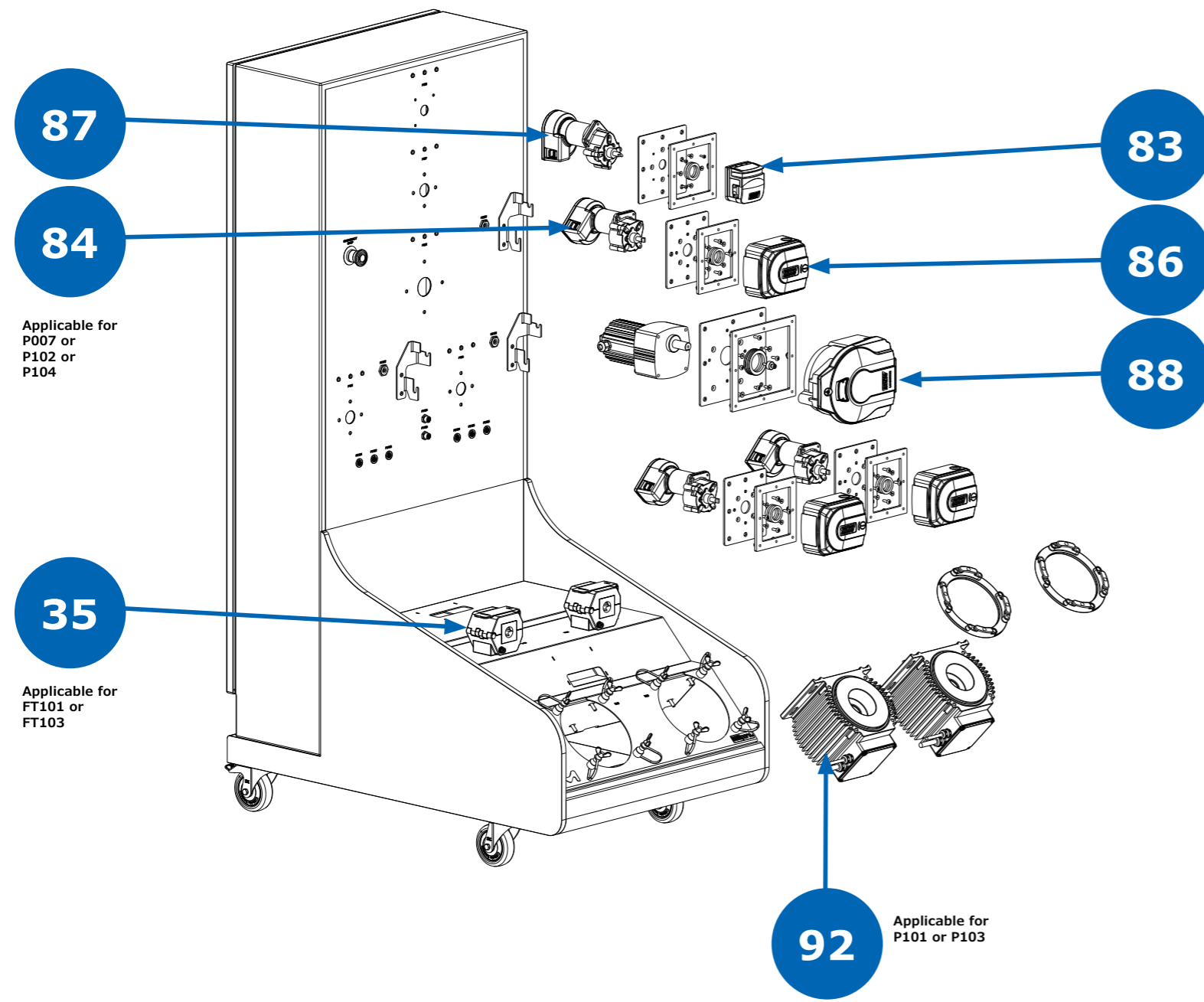


200 L (Continued)

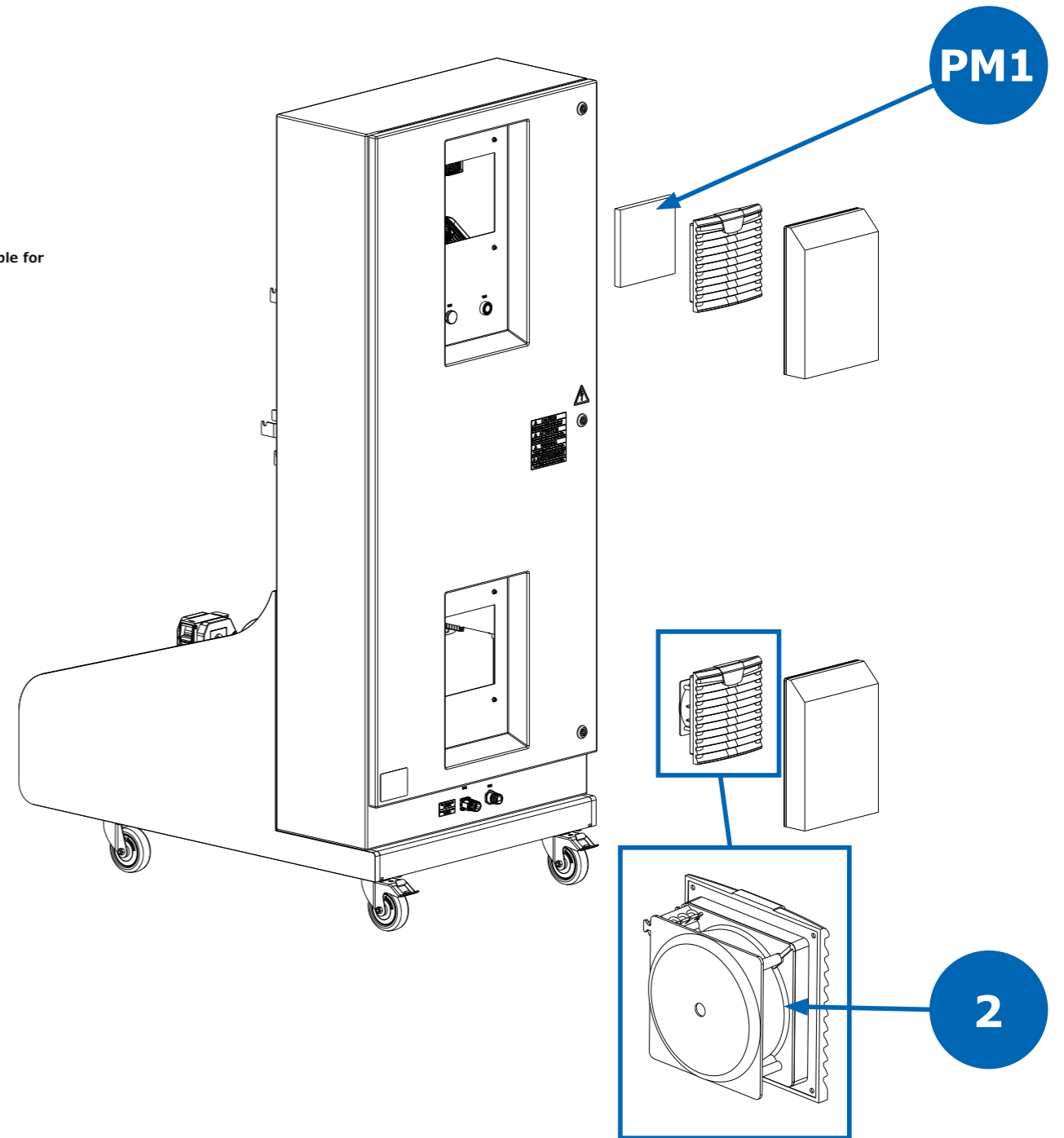


Perfusion Tower Spare Parts

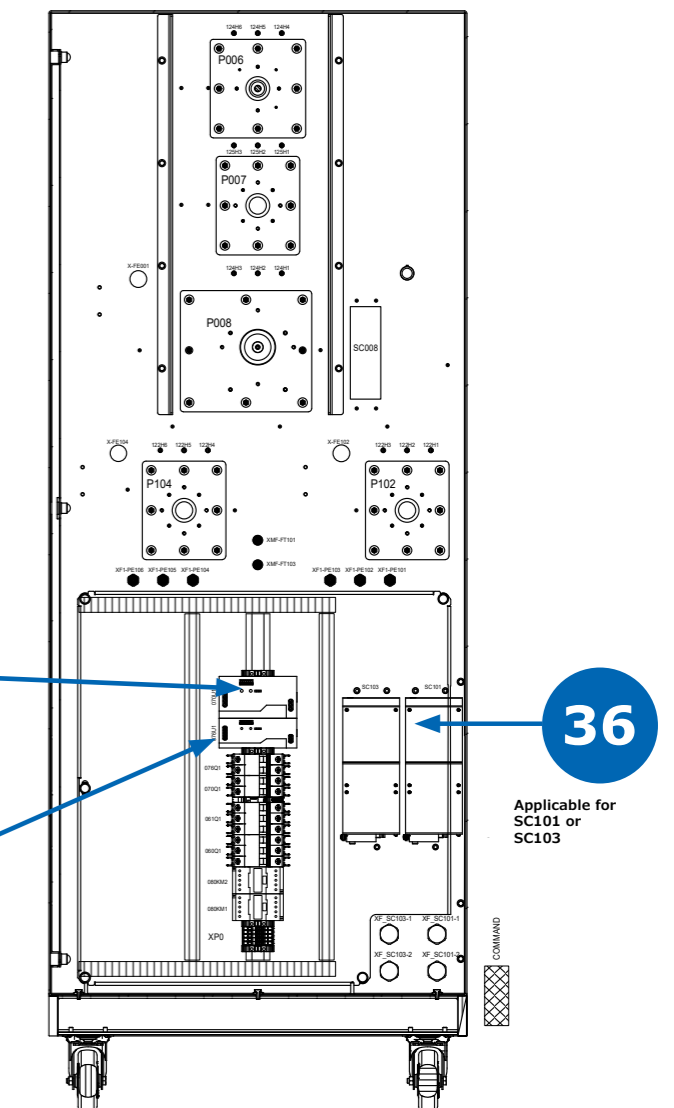
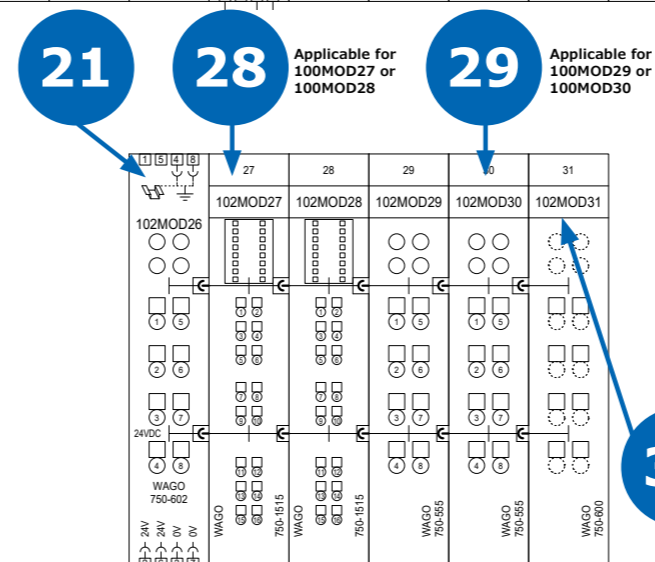
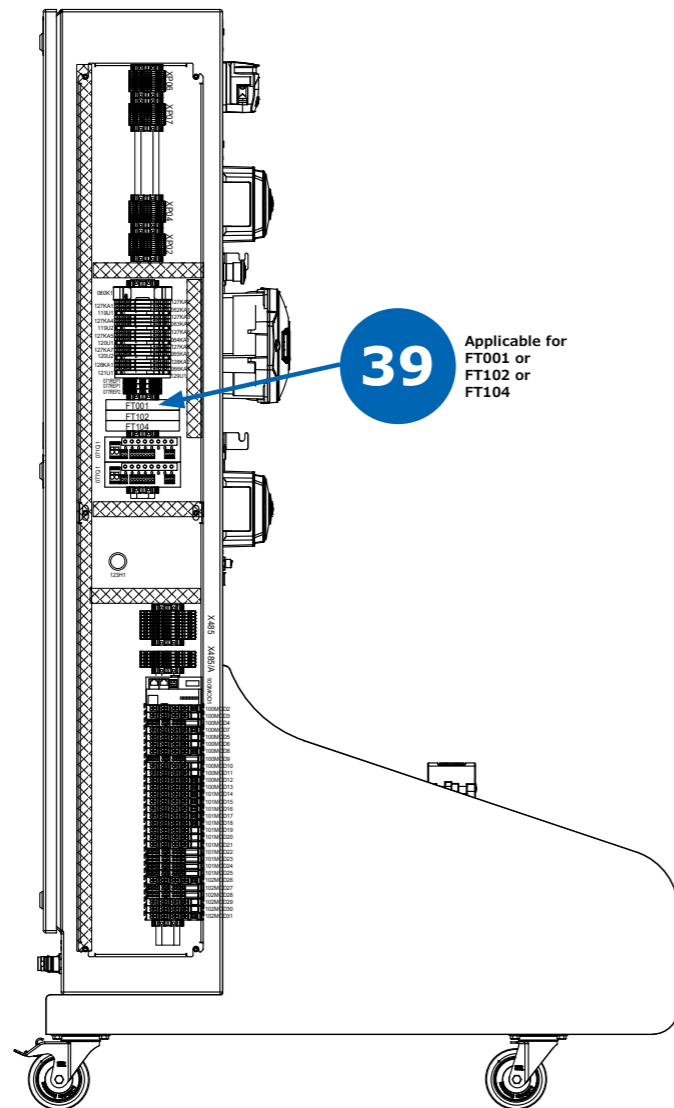
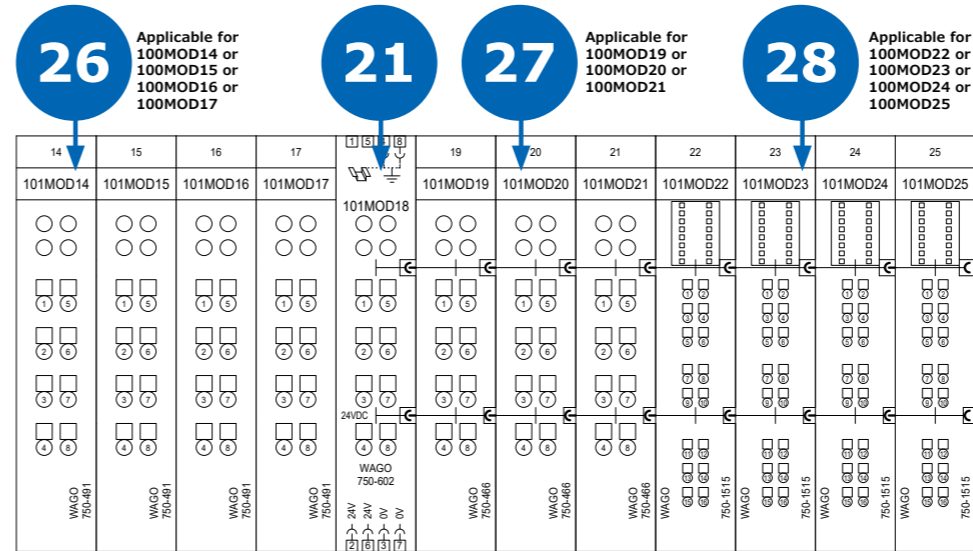
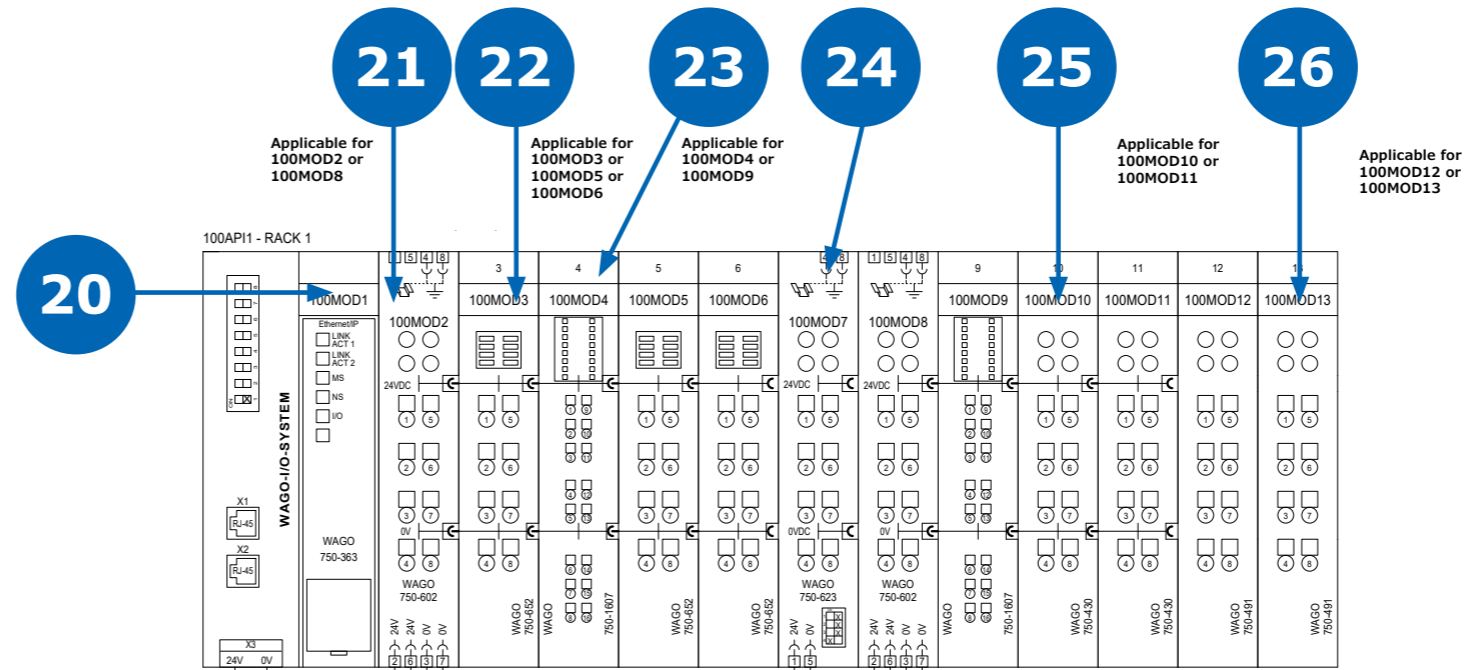
2000 L



Applicable for P007 or P102 or P104

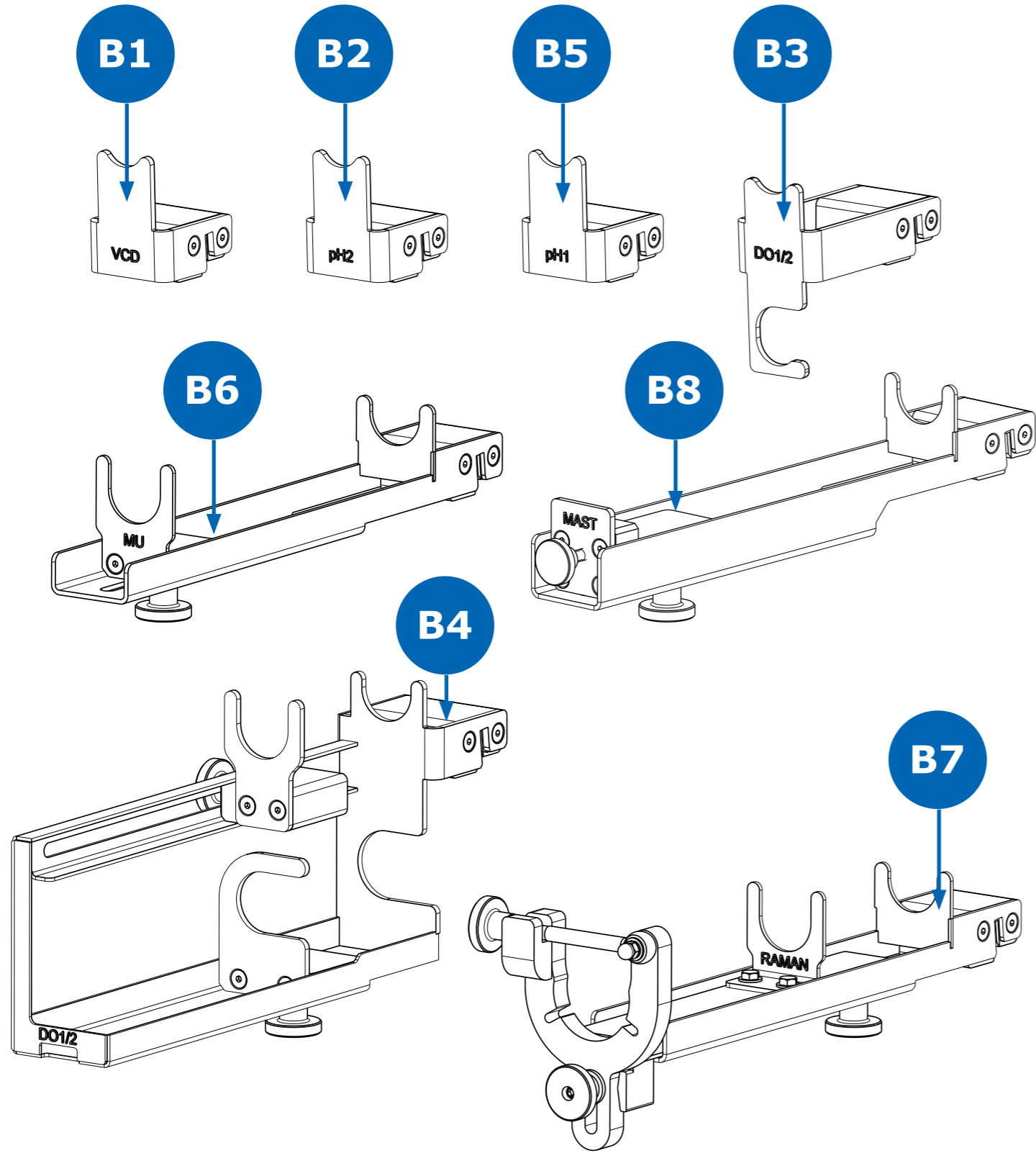


2000 L (Continued)

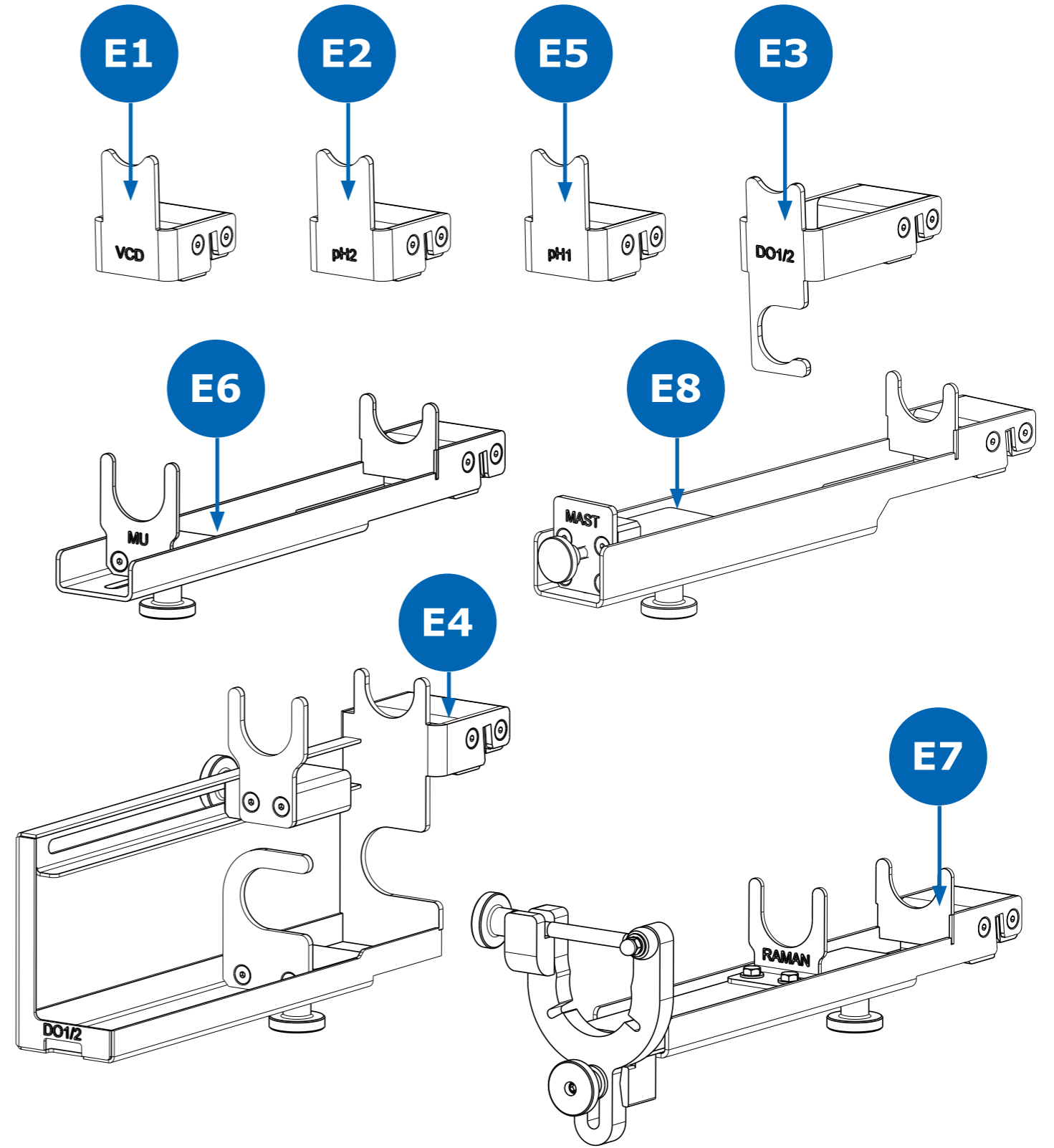


Accessories Spare Parts

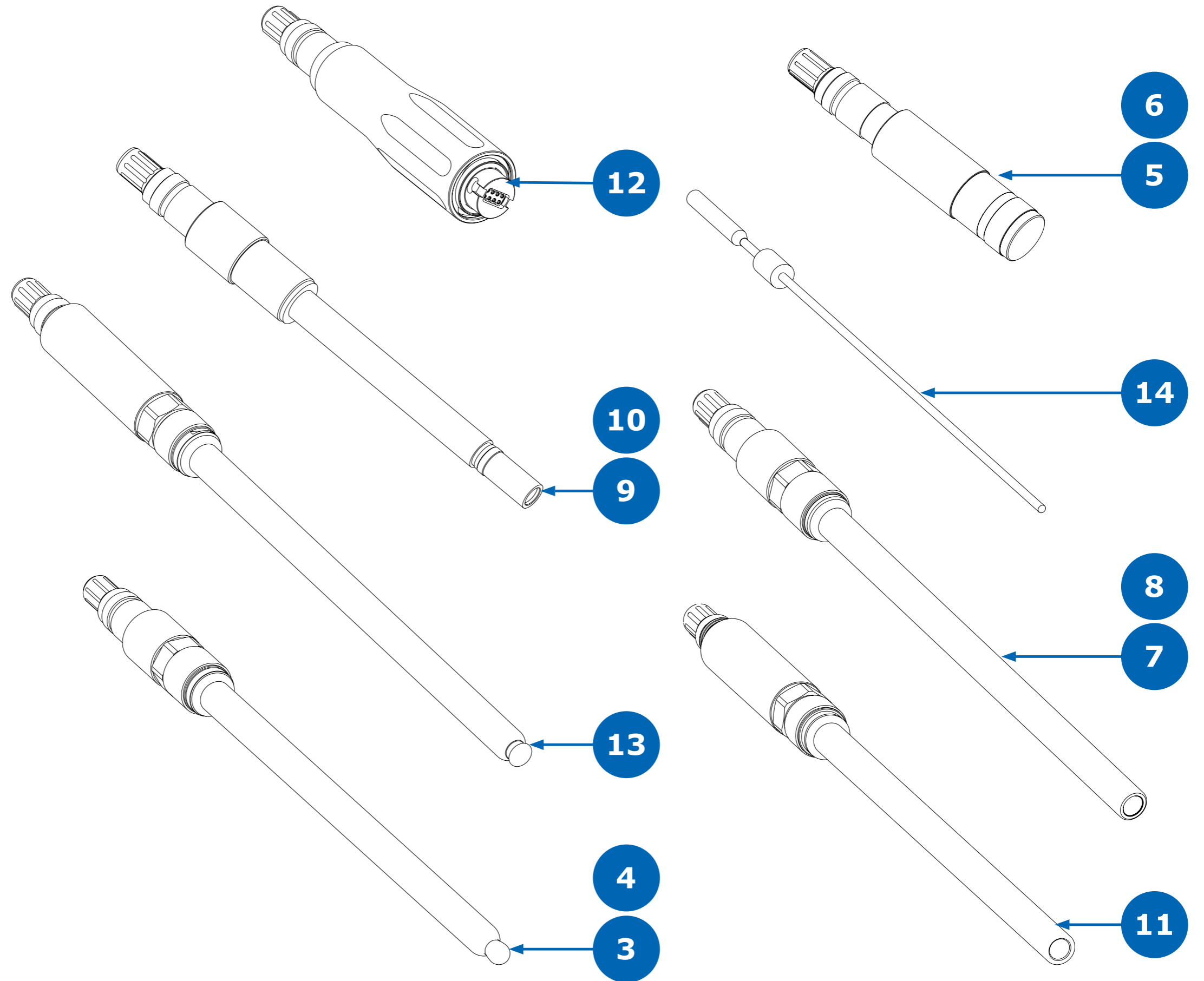
HOLDERS 200 L



HOLDERS 2000 L



Sensors and Probes Spare Parts



For more information, please visit
www.sigmaaldrich.com

